

Sealed

→ 83 123

- IP 66 protection
- Compact dimensions



Main specifications

| | Standard 83 123 0 | Spherical cover 83 123 0 |
|-------------------------------------|---|---|
| Function | | |
| I (changeover) | | |
| Connections | | |
| A05 VVF cable | | |
| Electrical characteristics | | |
| Rating nominal / 250 V AC (A) | 5 | 5 |
| Rating thermal / 250 V AC (A) | 12 | 12 |
| Mechanical characteristics | | |
| Maximum operating force (N) | 7.5 | 7.5 |
| Min. Release force (N) | 1.5 | 1.5 |
| Maximum total travel force (N) | 8 | 8 |
| Max. permitted overtravel force (N) | 30 | 30 |
| Tripping point (mm) | 11,4 ^{±0.4} | 16,5 ^{±0.5} |
| Maximum differential travel (mm) | 0.2 | 0.25 |
| Min. overtravel (mm) | 0.25 | 0.2 |
| Ambient operating temperature (°C) | 0 → +85 | 0 → +85 |
| Mechanical life (operations) | 2 x 10 ⁶ | 2 x 10 ⁶ |
| Contact gap (mm) | 0.5 | 0.5 |
| Weight (g) | 45 | 50 |
| Connections | | |
| Connection | Cable 3 x 0.75 mm ² in sheath Ø ext. 7.6 mm max. Standard length 0.50 m | Cable 3 x 0.75 mm ² in sheath Ø ext. 7.6 mm max. Standard length 0.50 m |
| Comments | | |
| Common (1) : black | | |
| Normally closed (2) : brown | | |
| Normally open (4) : grey | | |

Additional specifications

Components

Material

- Casing : nitrile
- Contacts : silver
- Contact holder : polyamide
- Mounting plate : passivated mild steel (zinc)

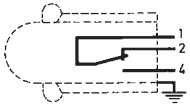
Product adaptations



- Special casing, leads, cables for specific environment

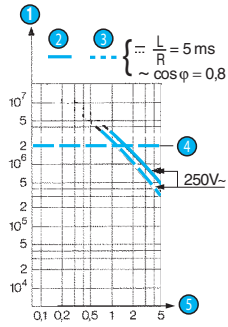
Principles

Double break changeover switch



Curves

Operating curve

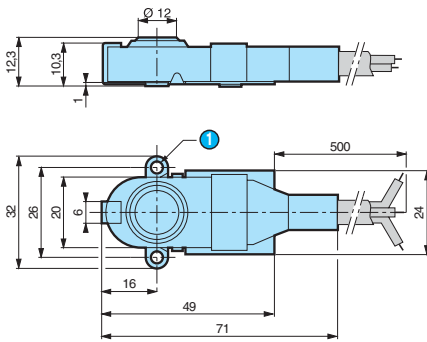


- ① Number of cycles
- ② Resistive circuit
- ③ Inductive circuit
- ④ Mechanical life limit
- ⑤ Current in Amps

Dimensions

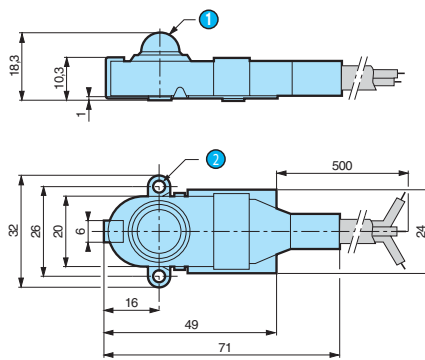
→ Product

83 123 Standard



- ① 2 holes Ø 3.2

83 123 Spherical cover



- ① R6 spherical
- ② 2 holes Ø 3.2

Other information

Mounting - Operation

In order to comply with basic safety requirements, an insulator must be used if the device is being operated manually. One of the fixing holes must be used as a protective earth.