

Data sheet | Item number: 832-1206

1-conductor male connector; 100% protected against mismatching; lever;
Silver-plated contacts; 16 mm²; Pin spacing 10.16 mm



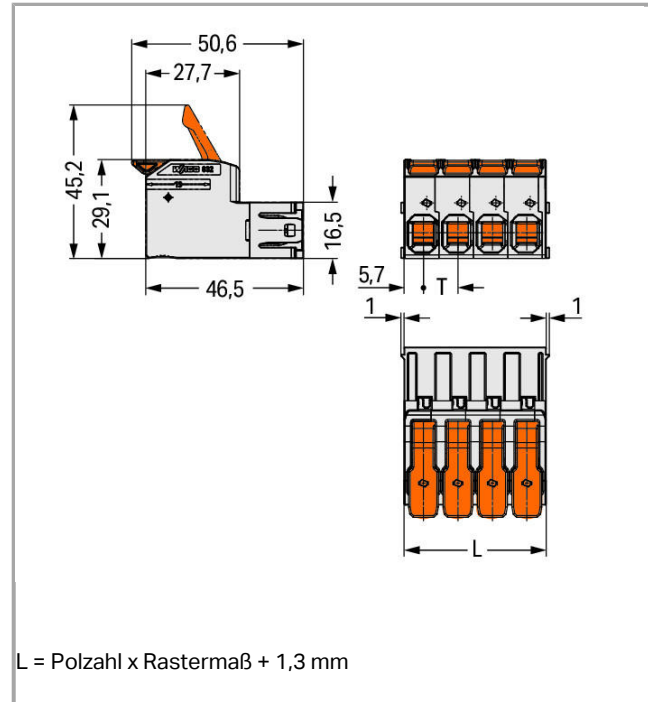
www.wago.com/832-1206



RoHS Compliant

[BOMcheck.net](https://www.bomcheck.net)

Color:



$L = \text{Polzahl} \times \text{Rastermaß} + 1,3 \text{ mm}$

Item description

- Intuitive and tool-free lever actuation
- Universal connection for all conductor types
- Push-in terminations of solid and ferruled conductors
- Test slot 0° and 90° to conductor entry
- 100% protected against mismatching
- Coding via coding fingers

Safety information 1:

The *MULTI CONNECTION SYSTEM (MCS)* is designed without breaking capacity for compliance with DIN EN 61984. When used as intended, MCS Connectors shall not be connected/disconnected when live or under load. The circuit design should ensure header pins, which can be touched, are not live when unmated.

Data

Electrical data

Ratings per IEC/EN 60664-1

| | |
|---------------------------------|--------|
| Rated voltage (III / 3) | 1000 V |
| Rated impulse voltage (III / 3) | 8 kV |
| Rated voltage (III / 2) | 1000 V |
| Rated impulse voltage (III / 2) | 8 kV |
| Rated voltage (II / 2) | 1000 V |
| Rated impulse voltage (II / 2) | 8 kV |
| Rated current | 76 A |

Connection data

| | |
|-------------------------------------------------------------|--------------------------------------------|
| Connection technology | Push-in CAGE CLAMP® |
| Actuation type | Push-button |
| Solid conductor | 0.75 ... 16 mm ² / 18 ... 4 AWG |
| Fine-stranded conductor | 0.75 ... 25 mm ² / 18 ... 4 AWG |
| Fine-stranded conductor with ferrule with plastic collar | 0.75 ... 16 mm ² |
| Fine-stranded conductor with ferrule without plastic collar | 0.75 ... 16 mm ² |
| Strip length | 18 ... 20 mm / 0.71 ... 0.79 inch |
| No. of poles | 6 |
| Total number of connection points | 6 |
| Total number of potentials | 6 |
| Number of connection types | 1 |
| Number of levels | 1 |

Geometrical Data

| | |
|-------------|-----------------------|
| Pin spacing | 10.16 mm / 0.4 inch |
| Width | 62.26 mm / 2.451 inch |
| Height | 29.1 mm / 1.146 inch |
| Depth | 50.6 mm / 1.992 inch |

Plug connection

| | |
|------------------------------------|---------------------|
| Contact type (pluggable connector) | Male connector/plug |
| Connector connection type | for conductors |
| Mismating protection | Yes |

Material Data

| | |
|-----------------------------|----------------------------------|
| Color | light gray |
| Material group | I |
| Insulating material | Polybutylene terephthalate (PBT) |
| Flammability class per UL94 | V0 |

| | |
|--------------------------|----------------------------------------|
| Clamping spring material | Chrome nickel spring steel (CrNi) |
| Contact material | Electrolytic copper (E _{Cu}) |
| Contact plating | silver-plated |
| Weight | 73.432 g |

Environmental Requirements


| | |
|-------------------------|-----------------|
| Limit temperature range | -60 ... +120 °C |
|-------------------------|-----------------|

Commercial data


| | |
|-------------------|---------------|
| Country of origin | DE |
| GTIN | 4055143749015 |

Approvals / Certificates

Country specific Approvals

| Logo | Approval | Additional Approval Text | Certificate name |
|-----------------------------------------------------------------------------------|---------------------------------|--------------------------|------------------|
|  | CSA DEKRA Certification B.V. | C22.2 | 70180346 |

UL-Approvals

| Logo | Approval | Additional Approval Text | Certificate name |
|------------------------------------------------------------------------------------|-----------------------------------------|--------------------------|------------------|
|  | cURus Underwriters Laboratories Inc. | C22.2 No. 158 | E45172 |

Subject to changes.