



## Datasheet

# RS PRO Grey PVC Open Slotted Trunking

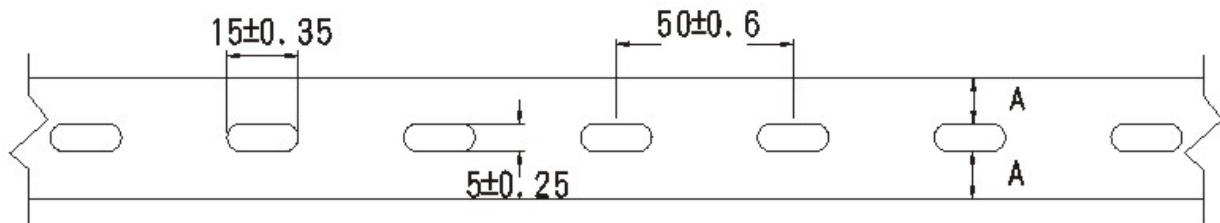
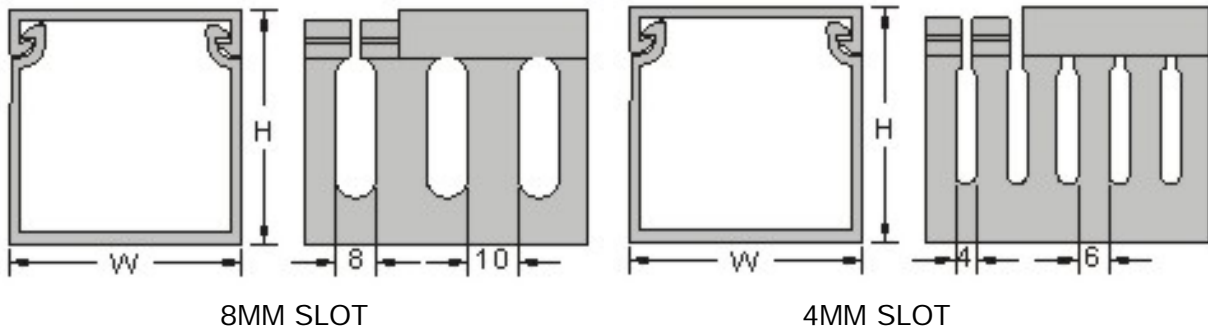
Stock number: 879-3725 879-3731 879-3738 879-3744  
879-3741 879-3747 879-3750

EN



## SPECIFICATION

- **Material:** High impact, warp-proof PVC , self-extinguishing .
- **UL approved 94V-0.**
- **Color:** Grey
- **Maximum service temperature:** 85°C
- **Test to UL file E97527 up to 50°C.**
- **Supplied complete with cover.**
- **These devices are for routing of wires within devices in factory installations.**
- **Features parallel holes on both sidewalls to facilitate cutting in wire application.**
- **Easy to insert, adding or removing wires - even with terminations attached.**
- **Save your total cost for during installation, wire tracing and circuit troubleshooting.**



RS Article No	W(mm)	H(mm)	A	Slot	Length
879-3741	40	60	17.5	4mm	1M
879-3747	40	80	17.5		
879-3750	60	80	27.5		
879-3725	40	40	17.5	8mm	
879-3731	40	60	17.5		
879-3738	40	80	17.5		
879-3744	60	80	27.5		