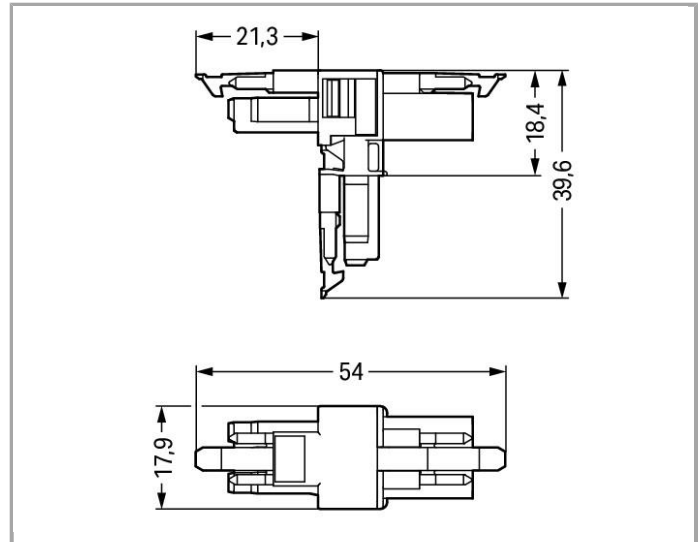


## Data sheet | Item number: 890-615

T-distribution connector; 3-pole; Cod. A; 1 input; 2 outputs; 3 locking levers;  
for flying leads



[www.wago.com/890-615](http://www.wago.com/890-615)



### Item description

#### Note:

All connectors for mounted installations (snap-in versions for lighting fixtures or devices, all types of PCB and distribution connectors) are factory-equipped with locking levers to ensure plugs and sockets are securely locked. Additional locking levers are only required for flying leads (plug /socket).

### Data

#### Electrical data

#### Ratings per IEC/EN 60664-1

Rated voltage (III / 3)	250 V
Rated impulse voltage (III / 3)	4 kV



Rated current	16 A
Legend (ratings)	(III / 3) $\triangleq$ Overvoltage category III / Pollution degree 3

### Connection data

No. of poles	3
Total number of potentials	3
Ground function	with preceding GND contact

### Geometrical Data

Pin spacing	4.4 mm (0.173 inch)
Width	17.9 mm / 0.705 inch
Height	39.65 mm / 1.561 inch
Depth	53.9 mm / 2.122 inch

### Mechanical data

Coding	A
Mating force of a plug-in connection	approx. 20 ... 70 N (depending on pole number)
Retention force of a plug-in connection	when locked: > 80N
Unmating force of a plug-in connection	when unlocked: approx. 20 ... 70 N (depending on pole number)
Type of distribution connector	T-distribution connector
Marking	L N
Degree of protection	IP20
Potential marking	L N

### Plug connection

Contact type (pluggable connector)	Socket/plug
Mismating protection	Yes
Locking of plug-in connection	locking lever
Locking lever	yes

### Material Data

Color	black
Insulating material	Polyamide 66 (PA 66)
Flammability class per UL94	V0
Contact material	Copper or copper alloy, surface-treated
Fire load	0.169 MJ
Weight	8.329 g

## Environmental Requirements


Surrounding air (operating) temperature	-35 ... 85 °C
---	---------------

## Commercial data


Country of origin	DE
GTIN	4045454490492
Product Group	20 (WINSTA)

## Approvals / Certificates

### Country specific Approvals

Logo	Approval	Certificate name
	CCA DEKRA Certification B.V.	2182129.01
	CCA DEKRA Certification B.V.	NL-35632

### Ship Approvals

Logo	Approval	Certificate name
	DNV GL Det Norske Veritas, Germanischer Lloyd	TAE00001Z6

### UL-Approvals

Logo	Approval	Certificate name
	UL UL International Germany GmbH	E45171

## Downloads

### Documentation

#### Bid Text

890-615	19-Sep-2016	DOC	Download
WINSTA MINI 3-polig		23.0 kB	



Subject to changes.

---

WAGO Kontakttechnik GmbH & Co. KG  
Hansastr. 27  
32423 Minden  
Phone: +49571 887-0 | Fax: +49571 887-169  
Email: [info.de@wago.com](mailto:info.de@wago.com) | Web: [www.wago.com](http://www.wago.com)

Do you have any questions about our products?  
We are always happy to take your call at +91-120-4388700.