

Secure safety solutions

Tufvassons has a wide range of transformers and over fifty years' experience of making them ourselves. We can guide you to the correct power supply for alarms, access systems, camera surveillance and locking equipment. If you need a product that is not available, we will ensure it is made.



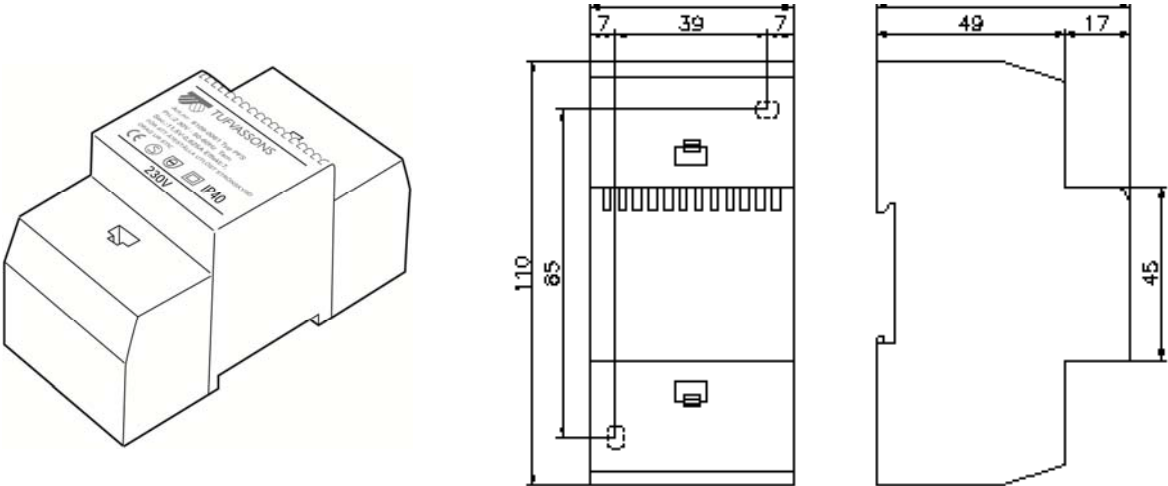
Safe power supply for alarms and surveillance

The transformer is adapted for the security field and fulfils the requirements for alarm systems and has high resistance to short-term overloading. It is ideal for supplying power to signalling devices, surveillance systems and access systems. Installation is simple on a TS35 rail and the cover has knockouts of 8/12 mm. Just like other Tufvassons' products, the transformer has short circuit and overload protection. It also complies with the insurance companies' requirement for self-extinguishing plastic in the housing.

Type:	PSLR 24						
Part. no.:	8912-0011						
Input voltage:	180-264V, 47-63 Hz N - L						
Output voltage:	12Vdc						
Rated power:	24 VA (2 A)						
Standby:	< 0.3 W						
Linearity:	< 0.2 % at $\pm 5\%$ input voltage variation						
Ripple:	200 mV _{r-t}						
Efficiency:	> 82 %						
MTBP:	50,000 h at 70 % load at 25°C						
Weight:	0.17 kg						
Encapsulation class:	IP40						
Insulation class:	4.2 kV						
Ambient temperature:	max 40 °C						
Design:	<ul style="list-style-type: none"> - Transformer potted in hard-setting plastic, with grey encapsulation made from impact resistant, self extinguishing thermoplastics. - Double insulated (earth connection not required). - Short circuit and overload protection. - Primary terminal 2-pole 2.5 mm² max. torque 0.25 Nm. - Secondary terminal 2-pole 2.5 mm² max. torque 0.25 Nm. 						
Mounting:	Snap fastening on 35mm DIN-rail in cubicle or standard box, alternatively wall mounting with screw.						
Manufacturing standard:	<table> <tr> <td>Security:</td> <td>EN 61558-1; EN 61558-2-16</td> </tr> <tr> <td>Emissions:</td> <td>EN 61,000-6-3</td> </tr> <tr> <td>Immunity:</td> <td>EN 61,000-6-2</td> </tr> </table>	Security:	EN 61558-1; EN 61558-2-16	Emissions:	EN 61,000-6-3	Immunity:	EN 61,000-6-2
Security:	EN 61558-1; EN 61558-2-16						
Emissions:	EN 61,000-6-3						
Immunity:	EN 61,000-6-2						
Other information:	If required for the installation in question, the transformer must be connected by an all-pole switch in permanent installations.						



Product illustration



Loading diagram

