

## FEATURES

- 24 V dc Supply Voltage
- Iron Core
- Spur gear head
- 6mm shaft diameter

## RS PRO, 24 V dc, 20 Ncm, Brushed DC Geared Motor, Output Speed 80 rpm

RS Stock No.: 901-3317



RS Professionally Approved Products bring to you professional quality parts across all product categories. Our product range has been tested by engineers and provides a comparable quality to the leading brands without paying a premium price.

### Product Description

From RS Pro, this DC geared motor is ideal for low speed applications that require high starting torque. The brushed motor ensure a low cost and simplified design, while offering versatility and reliability. With an iron core construction, the DC motor has a spur gearbox for consistent high output torque. The gear motor also features a robust flange with screw hole fixing, for easy and secure installation. This 38 mm geared motor is designed for most low voltage applications, and provides an 80 rpm no-load speed.

### General Specifications

|                               |   |
|-------------------------------|---|
| <b>DC Motor Type</b>          | Brushed   |
| <b>Output Speed (No Load)</b> | 80rpm   |
| <b>Gearhead Type</b>          | Spur  |
| <b>Gear Ratio</b>             | 2.5006944444  |
| <b>Power Rating</b>           | 4.022 W   |
| <b>Application</b>            | Power tools, Water pumps, Camera Systems, Adjusting devices,Robotics,Fans |

### Electrical Specifications

|                              |        |
|------------------------------|--------|
| <b>Supply Voltage</b>        | 24V dc |
| <b>Maximum Output Torque</b> | 20Ncm  |

### Mechanical Specifications

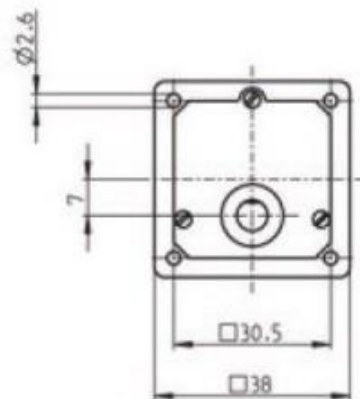
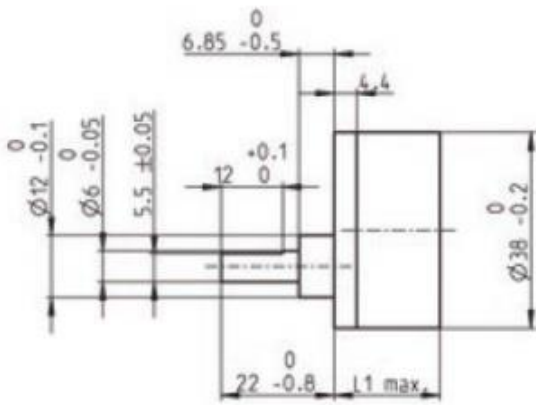
|                          |                      |
|--------------------------|----------------------|
| <b>Shaft Diameter</b>    | 6mm                  |
| <b>Core Construction</b> | Iron Core            |
| <b>Shaft Angle</b>       | Straight             |
| <b>Dimensions</b>        | 73.7mm x 38mm x 38mm |
| <b>Length</b>            | 73.7mm               |
| <b>Width</b>             | 38mm                 |
| <b>Depth</b>             | 38mm                 |

## Approvals

|                                  |                         |
|----------------------------------|-------------------------|
| <b>Compliance/Certifications</b> | 2011/65/EU and 2015/863 |
| <b>Standards Met</b>             | RoHS                    |



Drag to rotate



6mm shaft diameter

M 1:2

## DC Geared Motors



| RS Number | New Ratio | Replaces | Voltage | New Speed | New Max Torque | New Dimensions in mm |
|-----------|-----------|----------|---------|-----------|----------------|----------------------|
| 9013288   | 21:1      | 255-9582 | 12v     | 223rpm    | 70mNm          | 71.20x38x38          |
| 9013282   | 30:1      | 255-9598 | 12v     | 155rpm    | 100mNm         | 71.20x38x38          |
| 9013291   | 60:1      | 255-9605 | 12v     | 80rpm     | 200mNm         | 73.70x38x38          |
| 9013294   | 105:1     | 255-9611 | 12v     | 45rpm     | 300mNm         | 73.70x38x38          |
| 9013298   | 210:1     | 255-9627 | 12v     | 22rpm     | 600mNm         | 107.60x38x38         |
| 9013308   | 525:1     | 255-9649 | 12v     | 9rpm      | 600mNm         | 110.10x38x38         |
| 9013301   | 750:1     | 255-9655 | 12v     | 6rpm      | 600mNm         | 110.10x38x38         |
| 9013305   | 21:1      | 440-313  | 24v     | 223rpm    | 70mNm          | 71.20x38x38          |
| 9013314   | 30:1      | 440-329  | 24v     | 155rpm    | 100mNm         | 71.20x38x38          |
| 9013317   | 60:1      | 440-335  | 24v     | 80rpm     | 200mNm         | 73.70x38x38          |
| 9013311   | 105:1     | 440-341  | 24v     | 45rpm     | 300mNm         | 73.70x38x38          |
| 9013320   | 210:1     | 440-357  | 24v     | 22rpm     | 600mNm         | 107.60x38x38         |
| 9013323   | 525:1     | 440-363  | 24v     | 9rpm      | 600mNm         | 110.10x38x38         |
| 9013327   | 750:1     | 440-379  | 24v     | 6rpm      | 600mNm         | 110.10x38x38         |