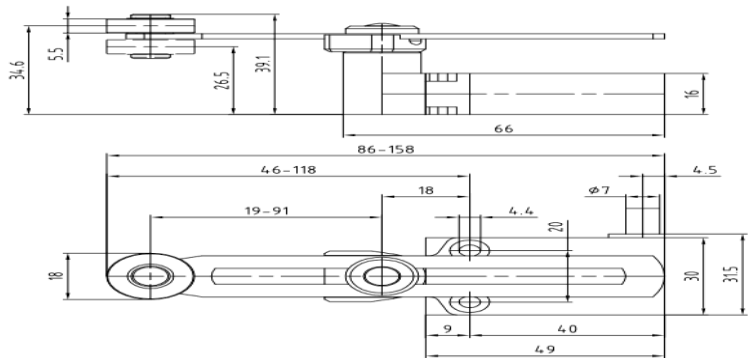
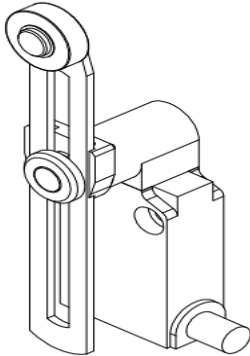


Datasheet

Limit Switch

RS Stock number 902-6953



Description:

- Pre-wired, Double insulation, Plastic Casing IP67, 30mm width
- PVC Cable 4x0.75mm², 1mt length
- Adjustable lever with Ø18mm nylon roller
- Z : Snap action contacts (1NO+1NC)

Specification:

Standards			Plastic Casing
Certifications - Approvals			Devices conform with international IEC 947-5-1 and European EN 60 947-5-1 standards
Air temperature near the device			UL (upon request) - IMQ
- during operation	°C		- 25 ... + 70
- for storage	°C		- 40 ... + 70
Mounting positions			All positions are authorized
Protection against electrical shocks (according to IEC 536)			Class II
Degree of protection (according to IEC 529 and EN 60 529)			IP 67
Degree of protection (according to UL50)			Type 1 enclosure ("indoor use only")
Rated insulation voltage U _i			400 V (degree of pollution 3) (250 V for M12 connector)
- according to IEC 947-1 and EN 60-947-1			B 300, R 300
- according to UL 508 and CSA C22-2 n° 14			
Conventional free air thermal current I _{th}	A	(according to IEC 947-5-1 and EN 60 947-5-1) θ < 40 °C	10 (4A for M12 connector)
Short-circuit protection	A		10 (4A for M12 connector)
U _e < 500 V a.c. - gG (gI) type fuses			
Rated operational current			
I _e / AC-15 (according to IEC 947-5-1)	24 V - 50/60 Hz	A	10 (4A for M12 connector)
	240 V - 50/60 Hz	A	3
I _e / DC-13 (according to IEC 947-5-1)	24 V - d.c.	A	2.8
	125 V - d.c.	A	0.22
	250 V - d.c.	A	0.27
Switching frequency			Cycles/h
Load factor			0.5
Resistance between contacts			mΩ
Mechanical durability			10 Millions of operations

For the complete list of approved products contact our technical department.

IMQ listed values