

# DYNAMIXEL X430 FR12-S101K Set

 [mybotshop.de/DYNAMIXEL-X430-FR12-S101K-Set\\_1](https://mybotshop.de/DYNAMIXEL-X430-FR12-S101K-Set_1)



Item number: MBS-ME-52

EAN: 8809052931667

DYNAMIXEL FR12-S101K Set

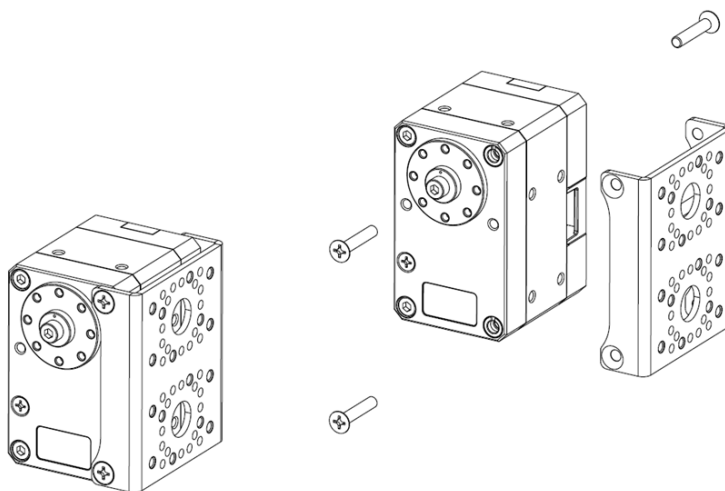
- DYNAMIXEL X430
- Bolting at the shorter side of the servo ([FR12-S102K](#))

Category: Mechanic

- Description
- Ratings

- Product Tags

The DYNAMIXEL FR12-S101K Set allows it to comfortably attach any DYNAMIXEL servo of the MX64 & MX106 series with a third party component.



### Scoope of delivery

- FR12-S101K Set (black)
- 4 x M2,5x17 countersunk bolt
- 8 x M2,5x8 Screws
- 10 x M2,5x4 Screws
- 10 x Spacer

---

HAN:	903-0241-000
Shipping weight:	0,02 Kg