

DYNAMIXEL X430 FR12-S102K Set

 mybotshop.de/DYNAMIXEL-X430-FR12-S102K-Set_1



Item number: MBS-ME-53

EAN: 8809052931674

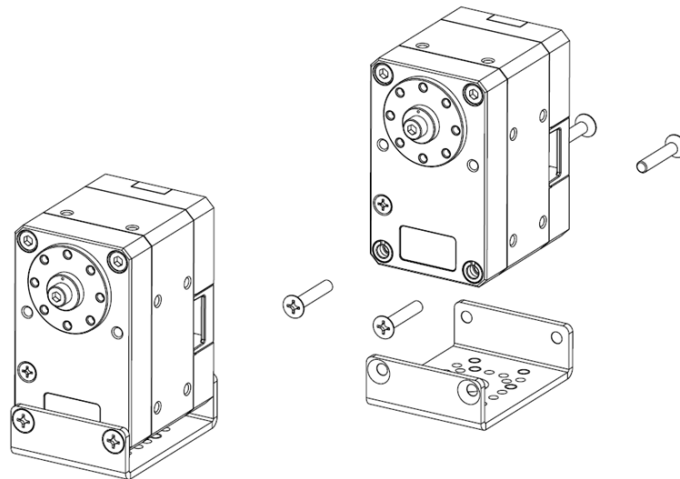
DYNAMIXEL FR12-S102K Set

- DYNAMIXEL X430
- Bolting at the long side of the servo (FR12-S101K)

Category: Mechanic

- Description
- Ratings
- Product Tags

The DYNAMIXEL FR12-S102K Set allows it to comfortably attach any DYNAMIXEL servo of the MX64 & MX106 series with a third party component.



Scope of delivery

- FR12-S102K Set (Black)
- 4 x M2,5x17 countersunk bolt
- 8 x M2,5x8 Screws
- 10 x M2,5x4 Screws
- 10 x Spacer

HAN:	903-0242-000
Shipping weight:	0,01 Kg