

## FEATURES

- Fits a standard XLR cut-out
- Can be mounted from front or back
- Low rear profile ensures space saving
- Matt black finish frame

## RS PRO USB Connector, Panel Mount, Socket to Socket 2.0 B to A, Plug In, Straight- Dual Port

RS Stock No.: 907-5628



RS Professionally Approved Products bring to you professional quality parts across all product categories. Our product range has been tested by engineers and provides a comparable quality to the leading brands without paying a premium price.

## Product Description

Brought to you under the trusted RS PRO offer, this metal USB feed through connector allows you to connect and adapt different USB types through a sturdy panel mount connection that is designed to fit within a standard XLR format chassis.

Available in this Range:

- [907-5621](#) - USB 3.0 A to A Feed through Connector with countersunk screw holes
- [907-5624](#) - USB 3.0 B to A Feed through Connector with countersunk screw holes.
- [907-5628](#) - USB 2.0 B to A Feed through Connector with countersunk screw holes.
- [907-5630](#) - USB 2.0 A to B Feed through Connector with countersunk screw holes
- [907-5637](#) - USB 2.0 B to A Feed through Connector with countersunk screw holes
- [916-0215](#) - USB 3.0 A to A Feed through Connector
- [916-0224](#) - USB 3.0 B to A Feed through Connector
- [916-0227](#) - USB 2.0 B to A Feed through Connector
- [916-0221](#) - USB 2.0 A to A Feed through Connector
- [916-0230](#) - USB 2.0 A to B Feed through Connector

## General Specifications

<b>Gender</b>	Female to Female
<b>Mounting Type</b>	Panel Mount
<b>USB Type</b>	B to A
<b>Termination Method</b>	Plug In
<b>USB Version</b>	2.0
<b>Body Orientation</b>	Straight
<b>Number of Ports</b>	2
<b>Contact Material</b>	Metal
<b>Colour</b>	Black
<b>Insert Material</b>	ABS
<b>Frame Material</b>	Nickel plated zinc diecast
<b>Shell Material</b>	Nickel plated steel
<b>Applications</b>	Computers, Tablets, Games consoles, Smart TVs, DVD and Blu-Ray players

### Electrical Specifications

Current Rating	1.5A max.
Voltage Rating	30Vac
Contact Resistance	50mΩ max.
Insulation Resistance	20MΩ min.
Dielectric withstanding voltage	500Vac

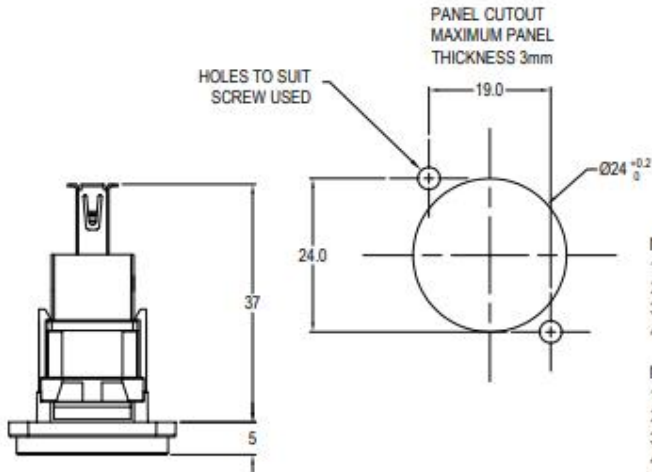
### Operation Environment Specifications

Minimum Operating Temperature	-20.0°C
Maximum Operating Temperature	50°C

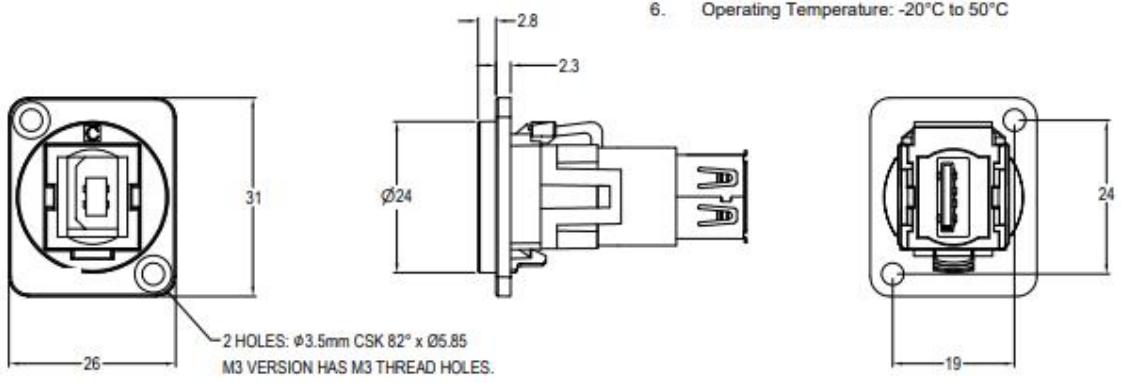
### Approvals

Compliance/Certifications	RoHS
---------------------------	------





- Material:**
1. Insert: ABS
  2. Frame: Nickel plated zinc diecast
  3. Shell: Nickel plated steel
  4. Contacts: Gold Plated
- Notes:**
1. Voltage rating: 30V AC
  2. Current rating: 1.5 A max
  3. Contact resistance: 50mΩ max
  4. Insulation resistance: 20MΩ min
  5. Dielectric withstanding voltage: 500V AC
  6. Operating Temperature: -20°C to 50°C



**RS Part No. Description**  
**907-5621** USB 3.0 A to USB 3.0 A, Nickel Plated, CSK hole.



**RS Part No. Description**  
**907-5624** USB 3.0 B to USB 3.0 A, Nickel Plated, CSK hole.



**RS Part No. Description**  
**907-5628** USB 2.0 B to USB 2.0 A, Nickel Plated, CSK hole.



**RS Part No. Description**  
**907-5637** USB 2.0 A to USB 2.0 A, Nickel Plated, CSK hole.



**RS Part No. Description**  
**907-5630** USB 2.0 A to USB 2.0 B, Nickel Plated, CSK hole.



**RS Part No. Description**  
**907-5634** LC Duplex SM adaptor, Nickel Plated, CSK Hole



**RS Part No. Description**  
**907-5643** LC Duplex MM, Nickel Plated, CSK Hole



**RS Part No. Description**  
**907-5646** SC Simplex SM, Nickel Plated, CSK Hole

		<b>RS Part No.</b> <b>907-5640</b>	<b>Description</b> SC Simplex MM, Nickel Plated, CSK Hole
		<b>RS Part No.</b> <b>907-5659</b>	<b>Description</b> Toslink, CSK Hole
		<b>RS Part No.</b> <b>907-5652</b>	<b>Description</b> UTP Cat5e RJ45-RJ45, CSK Hole
		<b>RS Part No.</b> <b>907-5656</b>	<b>Description</b> FTP Cat5e RJ45-RJ45, Shielded, CSK Hole
		<b>RS Part No.</b> <b>907-5665</b>	<b>Description</b> UTP Cat6 RJ45-RJ45, CSK Hole
		<b>RS Part No.</b> <b>907-5668</b>	<b>Description</b> FTP Cat6 RJ45-RJ45, Shielded, CSK Hole
		<b>RS Part No.</b> <b>907-5662</b>	<b>Description</b> RCA Phono RED, CSK Hole
		<b>RS Part No.</b> <b>907-5671</b>	<b>Description</b> RCA Phono WHITE, CSK Hole



**RS Part No.** **Description**  
**907-5674** RCA Phono YELLOW, CSK Hole



**RS Part No.** **Description**  
**907-5678** Blanking Plate, CSK Hole