

FEATURES

- Fits a standard XLR cut-out
- Can be mounted from front or back
- Low rear profile ensures space saving
- Matt black finish frame

RS PRO USB Connector, Panel Mount, Socket to Socket 2.0 B to A, Plug In, Straight- Dual Port

RS Stock No.: 916-0227



RS Professionally Approved Products bring to you professional quality parts across all product categories. Our product range has been tested by engineers and provides a comparable quality to the leading brands without paying a premium price.

Product Description

Brought to you under the trusted RS PRO offer, this metal USB feed through connector allows you to connect and adapt different USB types through a sturdy panel mount connection that is designed to fit within a standard XLR format chassis.

Available in this Range:

[907-5621](#) - USB 3.0 A to A Feed through Connector with countersunk screw holes
[907-5624](#) - USB 3.0 B to A Feed through Connector with countersunk screw holes.
[907-5628](#) - USB 2.0 B to A Feed through Connector with countersunk screw holes.
[907-5630](#) - USB 2.0 A to B Feed through Connector with countersunk screw holes
[907-5637](#) - USB 2.0 B to A Feed through Connector with countersunk screw holes
[916-0215](#) - USB 3.0 A to A Feed through Connector
[916-0224](#) - USB 3.0 B to A Feed through Connector
[916-0227](#) - USB 2.0 B to A Feed through Connector
[916-0221](#) - USB 2.0 A to A Feed through Connector
[916-0230](#) - USB 2.0 A to B Feed through Connector

General Specifications

Gender	Female to Female
Mounting Type	Panel Mount
USB Type	B to A
Termination Method	Plug In
USB Version	2.0
Body Orientation	Straight
Number of Ports	2
Contact Material	Metal
Colour	Black
Insert Material	ABS
Frame Material	Nickel plated zinc diecast
Shell Material	Nickel plated steel
Applications	Computers, Tablets, Games consoles, Smart TVs, DVD and Blu-Ray players

Electrical Specifications

Current Rating	1.5A max.
Voltage Rating	30Vac
Contact Resistance	50mΩ max.
Insulation Resistance	20MΩ min
Dielectric withstanding voltage	500Vac

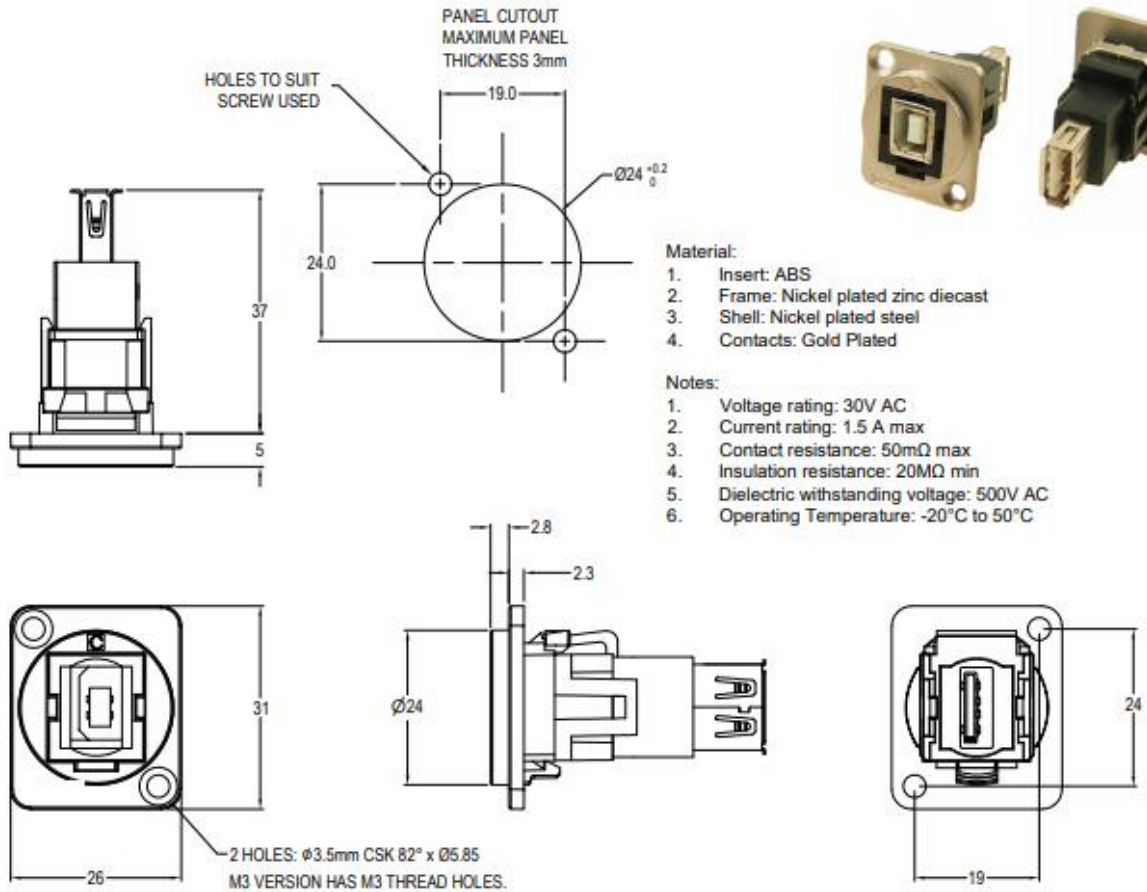
Operation Environment Specifications

Minimum Operating Temperature	-20.0°C
Maximum Operating Temperature	50°C

Approvals

Compliance/Certifications	RoHS
----------------------------------	------







Part No.
CP30205NMB
RS Stock No.
916-0215

Description
USB 3.0 A to USB 3.0 A, CSK hole.



Part No.
CP30206NMB
RS Stock No.
916-0224

Description
USB 3.0 B to USB 3.0 A, CSK hole.



Part No.
CP30207NMB
RS Stock No.
916-0227

Description
USB 2.0 B to USB 2.0 A, CSK hole.



Part No.
CP30208NMB
RS Stock No.
916-0221

Description
USB 2.0 A to USB 2.0 A, CSK hole.



Part No.
CP30209NMB
RS Stock No.
916-0230

Description
USB 2.0 A to USB 2.0 B, CSK hole.



Part No.
CP30213MB
RS Stock No.
916-0233

Description
LC Duplex SM adaptor, CSK Hole



Part No.
CP30214MB

Description
LC Duplex MM, CSK Hole



Part No.
CP30215MB
RS Stock No.
916-0246

Description
SC Simplex SM, CSK Hole



Part No.
CP30216MB

Description
SC Simplex MM, CSK Hole

		Part No. CP30216MB	Description SC Simplex MM, CSK Hole
		Part No. CP30217MB RS Stock No. 916-0249	Description Toslink, CSK Hole
		Part No. CP30220MB RS Stock No. 916-0243	Description UTP Cat5e RJ45-RJ45, CSK Hole
		Part No. CP30220SMB RS stock No. 916-0252	Description FTP Cat5e RJ45-RJ45, Shielded, CSK Hole
		Part No. CP30222MB RS Stock No. 916-0255	Description UTP Cat6 RJ45-RJ45, CSK Hole
		Part No. CP30222SMB RS Stock No. 916-0259	Description FTP Cat6 RJ45-RJ45, Shielded, CSK Hole
		Part No. CP30230MB	Description RCA Phono RED, CSK Hole



Part No.
CP30231MB

Description
RCA Phono WHITE, CSK Hole



Part No.
CP30232MB

Description
RCA Phono YELLOW, CSK Hole

Other colours available on request.



Part No.
CP30241MB

Description
Blanking Plate, CSK Hole