

# Thermomagnetic device circuit breaker - UT 6-TMC M 2A



0916605

<https://www.phoenixcontact.com/gb/products/0916605>

Please be informed that the data shown in this PDF document is generated from our Online Catalog. Please find the complete data in the user documentation. Our General Terms of Use for Downloads are valid.

Thermomagnetic circuit breaker, 1-pos., for DIN rail mounting



## Your advantages

- Simple feed-in due to bridging capability using CLIPLINE complete accessories
- High system availability, thanks to easy resetting
- Quick and easy identification with large-area marking options
- The right device for every application, thanks to a nominal current range of 0.5 to 16 A
- Space savings of 30 % compared to miniature circuit breakers owing to the compact width of 12.3 mm

## Commercial Data

Item number	0916605
Packing unit	6 pc
Minimum order quantity	6 pc
Sales Key	CLA122
Product Key	CLA122
Catalog Page	Page 394 (C-4-2019)
GTIN	4046356449014
Weight per Piece (including packing)	63.475 g
Weight per Piece (excluding packing)	63 g
Customs tariff number	85362010
Country of origin	CZ

# Thermomagnetic device circuit breaker - UT 6-TMC M 2A



0916605

<https://www.phoenixcontact.com/gb/products/0916605>

## Technical Data

### Product properties

Type	DIN rail module, one-piece
Product type	Thermomagnetic device circuit breakers
Number of positions	1
Number of connections	2
Number of rows	1
No. of channels	1
Potentials	1

### Insulation characteristics

Overvoltage category	II
Degree of pollution	2

### Electrical properties

No. of channels	1
Fuse type	Automatic device
Maximum power dissipation for nominal condition	$\leq 1.32 \text{ VA}$

### General

Operating voltage	50 V AC ... 264 V AC (48 - 62 Hz)
	5 V DC ... 30.8 V DC
Rated voltage	240 V AC (50/60 Hz)
	28 V DC
	240 V AC (50/60 Hz)
	28 V DC
Rated insulation voltage $U_i$	440 V AC
Rated current $I_N$	2 A
Rated surge voltage	2.8 kV
Insulation resistance $R_{iso}$	$> 100 \text{ M}\Omega$ (main contact)
Type of actuation	S type
Tripping method	TM (thermomagnetic)
Tripping level	Trip-free mechanism (positive)
Device resistance	330 m $\Omega$
Required backup fuse	16 A
Rated short-circuit switching capacity $I_{cn}$	200 A (240 V AC)
	400 A (28 V DC)
Dielectric strength	2000 V
Switching cycles, max.	6000 (at $1 \times I_n$ )
	50 (at $1.5 \times I_n$ )
	40 (at $6 \times I_n$ )
Fuse	M1 (normal blow)
Power dissipation	$\leq 1.32 \text{ VA}$

# Thermomagnetic device circuit breaker - UT 6-TMC M 2A



0916605

<https://www.phoenixcontact.com/gb/products/0916605>

Temperature derating	1.54 A DC (at -30 °C)
	1.62 A DC (at -20 °C)
	1.68 A DC (at -10 °C)
	1.74 A DC (at 0 °C)
	1.8 A DC (at 10 °C)
	2 A DC (at 23 °C)
	2.06 A DC (at 30 °C)
	2.16 A DC (at 40 °C)
	2.3 A DC (at 50 °C)
	2.42 A DC (at 60 °C)

## Connection data

Nominal cross section	6.00 mm <sup>2</sup>
Rated cross section AWG	8

### Level 1 above 1 below 1

Screw thread	M4
Tightening torque	1.5 ... 1.8 Nm
Stripping length	12 mm
Conductor cross section solid	0.2 mm <sup>2</sup> ... 10 mm <sup>2</sup>
Cross section AWG	24 ... 8
Conductor cross section flexible	0.2 mm <sup>2</sup> ... 10 mm <sup>2</sup>
Conductor cross section, flexible [AWG]	24 ... 8
Flexible conductor cross section flexible (ferrule, w/o plastic sleeve)	0.25 mm <sup>2</sup> ... 6 mm <sup>2</sup>
Flexible conductor cross section (ferrule with plastic sleeve)	0.25 mm <sup>2</sup> ... 6 mm <sup>2</sup>
2 conductors with same cross section, solid	0.2 mm <sup>2</sup> ... 2.5 mm <sup>2</sup>
2 conductors with same cross section, flexible	0.2 mm <sup>2</sup> ... 2.5 mm <sup>2</sup>
2 conductors with same cross section, flexible, with ferrule without plastic sleeve	0.25 mm <sup>2</sup> ... 1.5 mm <sup>2</sup>
2 conductors with the same cross section, flexible, with TWIN ferrule with plastic sleeve	0.5 mm <sup>2</sup> ... 4 mm <sup>2</sup>
Nominal current	2 A
Nominal voltage	240 V AC
	28 V DC
Nominal cross section	6 mm <sup>2</sup>

## Dimensions

Width	12.3 mm
Width	12.3 mm
Height	85.5 mm
Height	85.5 mm
Depth	89.5 mm
Depth	89.5 mm

## Material specifications

# Thermomagnetic device circuit breaker - UT 6-TMC M 2A



0916605

<https://www.phoenixcontact.com/gb/products/0916605>

Color	gray
Flammability rating according to UL 94	V0
Insulating material	PA66

## Mechanical properties

### Mechanical data

Open side panel	No
-----------------	----

## Environmental and real-life conditions

### Ambient conditions

Degree of protection	IP40 (Actuation area)
	IP20 (Connection area)
Ambient temperature (operation)	-30 °C ... 60 °C
Altitude	2000 m (acc. to EN 60934)

## Standards and regulations

Standards/specifications	EN 60934
Standards/specifications	UL 1077
Standards/specifications	CSA 22.2
Standards/specifications	EAC

## Mounting

Mounting type	DIN rail: 35 mm
---------------	-----------------

# Thermomagnetic device circuit breaker - UT 6-TMC M 2A

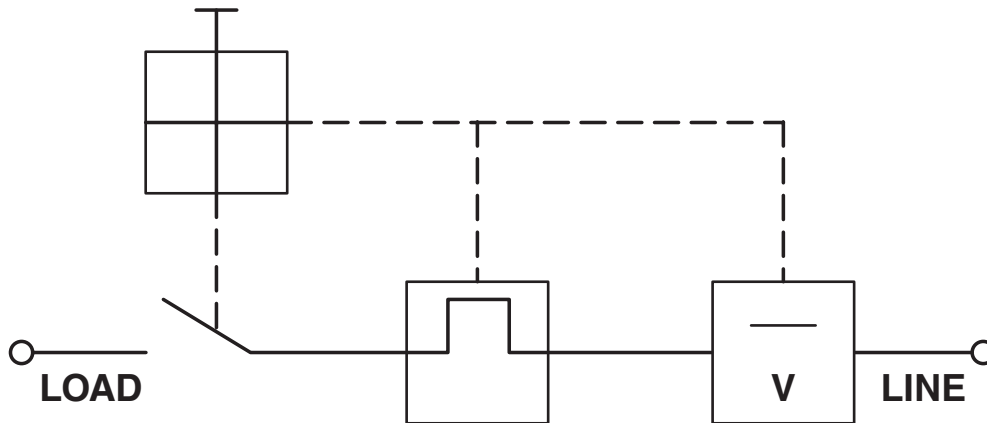


0916605

<https://www.phoenixcontact.com/gb/products/0916605>

## Drawings

Block diagram



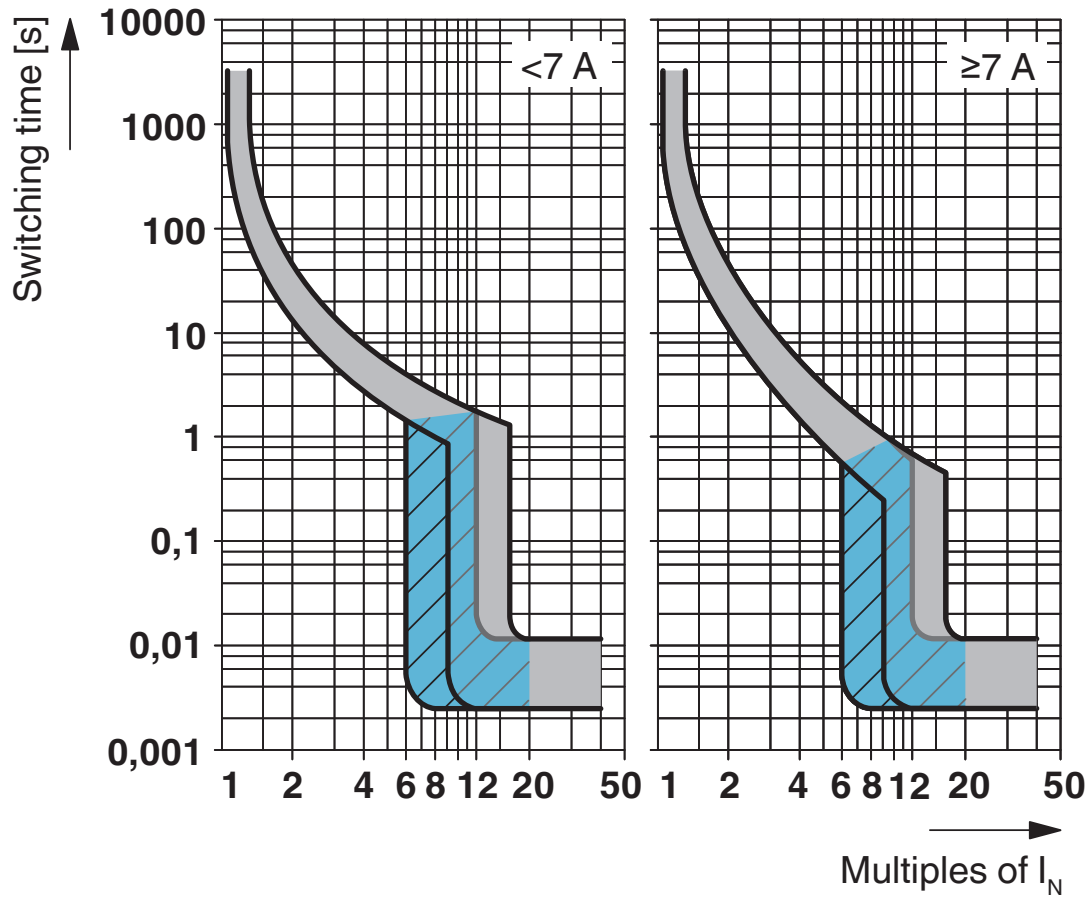
# Thermomagnetic device circuit breaker - UT 6-TMC M 2A



0916605

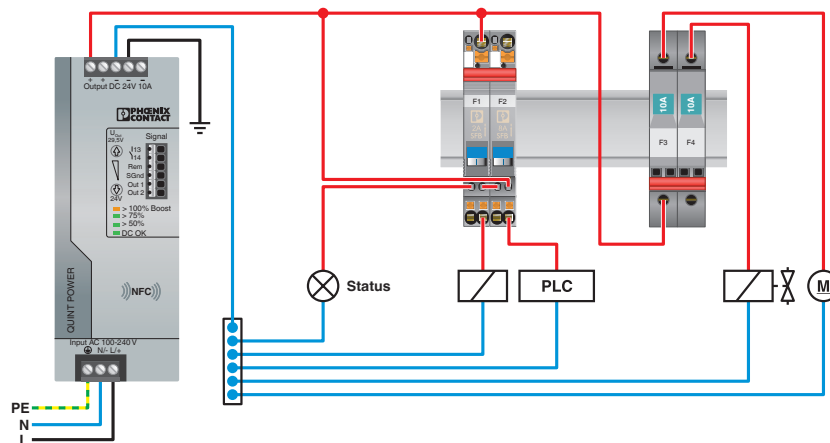
<https://www.phoenixcontact.com/gb/products/0916605>

Diagram



Trigger characteristic

Application drawing



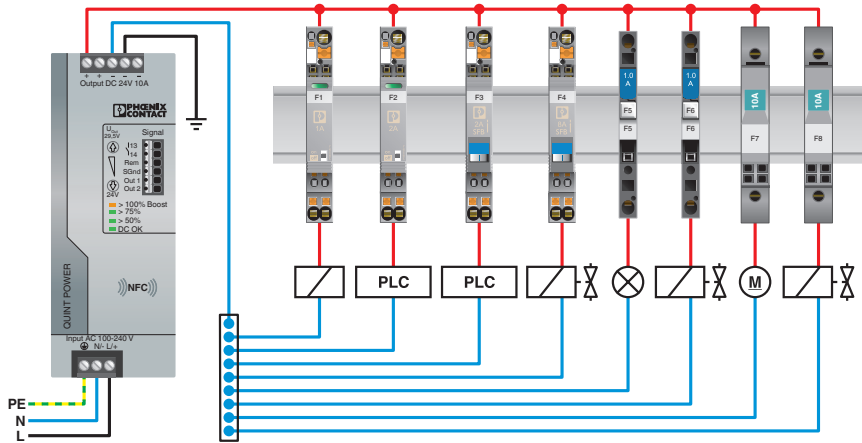
# Thermomagnetic device circuit breaker - UT 6-TMC M 2A



0916605

<https://www.phoenixcontact.com/gb/products/0916605>

Application drawing



# Thermomagnetic device circuit breaker - UT 6-TMC M 2A



0916605

<https://www.phoenixcontact.com/gb/products/0916605>

## Approvals



**cUL Recognized**  
Approval ID: FILE E 140459



**UL Recognized**  
Approval ID: FILE E 140459



**EAC**  
Approval ID: EAC-Zulassung



**EAC**  
Approval ID: RU C-DE.A\*30.B01546



**VDE Zeichengenehmigung**  
Approval ID: 40028127



**CSA**  
Approval ID: 250505



**KC**  
Approval ID: SW05013-15001

**cULus Recognized**



# Thermomagnetic device circuit breaker - UT 6-TMC M 2A



0916605

<https://www.phoenixcontact.com/gb/products/0916605>

## Classifications

### ECLASS

ECLASS-9.0	27141116
ECLASS-10.0.1	27141116
ECLASS-11.0	27141116

### ETIM

ETIM 8.0	EC000899
----------	----------

### UNSPSC

UNSPSC 21.0	39121400
-------------	----------

# Thermomagnetic device circuit breaker - UT 6-TMC M 2A



0916605

<https://www.phoenixcontact.com/gb/products/0916605>

## Environmental Product Compliance

China RoHS	Environmentally friendly use period: unlimited = EFUP-e
	No hazardous substances above threshold values

# Thermomagnetic device circuit breaker - UT 6-TMC M 2A



0916605

<https://www.phoenixcontact.com/gb/products/0916605>

## Accessories

### Plug-in bridge

Plug-in bridge - FBS 2-6 - 3030336

<https://www.phoenixcontact.com/gb/products/3030336>



Plug-in bridge, pitch: 6.2 mm, color: red

---

### Plug-in bridge

Plug-in bridge - FBS 3-6 - 3030242

<https://www.phoenixcontact.com/gb/products/3030242>



Plug-in bridge, pitch: 6.2 mm, color: red

# Thermomagnetic device circuit breaker - UT 6-TMC M 2A



0916605

<https://www.phoenixcontact.com/gb/products/0916605>

## Plug-in bridge

Plug-in bridge - FBS 4-6 - 3030255

<https://www.phoenixcontact.com/gb/products/3030255>



Plug-in bridge, pitch: 6.2 mm, color: red

---

## Plug-in bridge

Plug-in bridge - FBS 5-6 - 3030349

<https://www.phoenixcontact.com/gb/products/3030349>



Plug-in bridge, pitch: 6.2 mm, color: red

# Thermomagnetic device circuit breaker - UT 6-TMC M 2A



0916605

<https://www.phoenixcontact.com/gb/products/0916605>

## Plug-in bridge

Plug-in bridge - FBS 10-6 - 3030271

<https://www.phoenixcontact.com/gb/products/3030271>



Plug-in bridge, pitch: 6.2 mm, color: red

---

## Plug-in bridge

Plug-in bridge - FBS 20-6 - 3030365

<https://www.phoenixcontact.com/gb/products/3030365>



Plug-in bridge, pitch: 6.2 mm, color: red

# Thermomagnetic device circuit breaker - UT 6-TMC M 2A



0916605

<https://www.phoenixcontact.com/gb/products/0916605>

## Screwdriver

Screwdriver - SZS 1,0X4,0 VDE - 1205066

<https://www.phoenixcontact.com/gb/products/1205066>



Screwdriver, slot-headed, VDE insulated, size: 1.0 x 4.0 x 100 mm, 2-component grip, with non-slip grip

---

## Marker for terminal blocks

Marker for terminal blocks - UC-TM 12 - 0819194

<https://www.phoenixcontact.com/gb/products/0819194>



Marker for terminal blocks, Sheet, white, unlabeled, can be labeled with: BLUEMARK ID COLOR, BLUEMARK ID, BLUEMARK CLED, PLOTMARK, CMS-P1-PLOTTER, mounting type: snapped, for terminal block width: 12 mm, lettering field size: 11.45 x 10.5 mm, Number of individual labels: 40

# Thermomagnetic device circuit breaker - UT 6-TMC M 2A



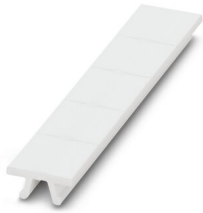
0916605

<https://www.phoenixcontact.com/gb/products/0916605>

## Zack marker strip

Zack marker strip - ZB 12:UNPRINTED - 0812120

<https://www.phoenixcontact.com/gb/products/0812120>



Zack marker strip, Strip, white, unlabeled, can be labeled with: PLOTMARK, CMS-P1-PLOTTER, mounting type: snapped, for terminal block width: 12.2 mm, lettering field size: 12 x 10.5 mm, Number of individual labels: 5

---

Phoenix Contact 2022 © - all rights reserved

<https://www.phoenixcontact.com>

PHOENIX CONTACT Ltd

Halesfield 13, Telford

Shropshire, TF7 4PG

01952 681700

[info@phoenixcontact.co.uk](mailto:info@phoenixcontact.co.uk)