

## FEATURES

- Made from seam-welded PVC material
- Normally open switch configuration
- Switching current of 250mA
- Switching voltage of 25VDC
- Depth of 3 mm
- Height of 720 mm
- Width of 390 mm
- Surface mounted
- RoHS (Restriction of Hazardous Substances) compliant
- 0.22mm<sup>2</sup> black PVC insulated cable

# RS PRO Pressure Mat Surface Mount 250mA, 25V dc

RS Stock No.: 918-4750



RS PRO Professionally Approved Products bring to you professional quality parts across all product categories. Our product range has been tested by engineers and provides a comparable quality to the leading brands without paying a premium price.

## Product Description

You'll know the moment someone steps through a doorway with this pressure mat. A highly accurate sensor, this product can be triggered by someone as light as 25 kg.

Made from a seam-welded PVC material, this sturdy pad will stand up to substantial wear. With an IP64 ingress rating, it's completely protected against dust but isn't waterproof. At just 3 mm deep, and measuring only 720 mm by 390 mm, it can be easily covered by a carpet or welcome mat for covert detection. It has four 300 mm PVC-insulated lead-out cables with a cross-section of 0.22 mm<sup>2</sup> for durable and discrete installation.

## General Specifications

<b>Activation Type</b>	Pressure Pad Switch
<b>Colour</b>	Black
<b>Switch Configuration</b>	Normally Open
<b>Material</b>	Seem welded PVC
<b>Applications</b>	Commercial and Residential, Home or Offices

## Electrical Specifications

<b>Switching Current</b>	250mA DC (Resistive)
<b>Switching Voltage</b>	25VDC
<b>Maximum Power</b>	10W/VA
<b>Maximum current</b>	250mA DC (Resistive)
<b>Contact Resistance</b>	1Ω Typical

## Mechanical Specifications

<b>Mounting Type</b>	Surface Mount
<b>Dimensions</b>	3mm x 720mm x 390mm
<b>Depth</b>	3mm
<b>Height</b>	720mm
<b>Width</b>	390mm
<b>Cable length</b>	300mm PVC-insulated lead-out
<b>Actuation Pressure</b>	25Kg over 50mm <sup>2</sup>

## Operation Environment Specifications

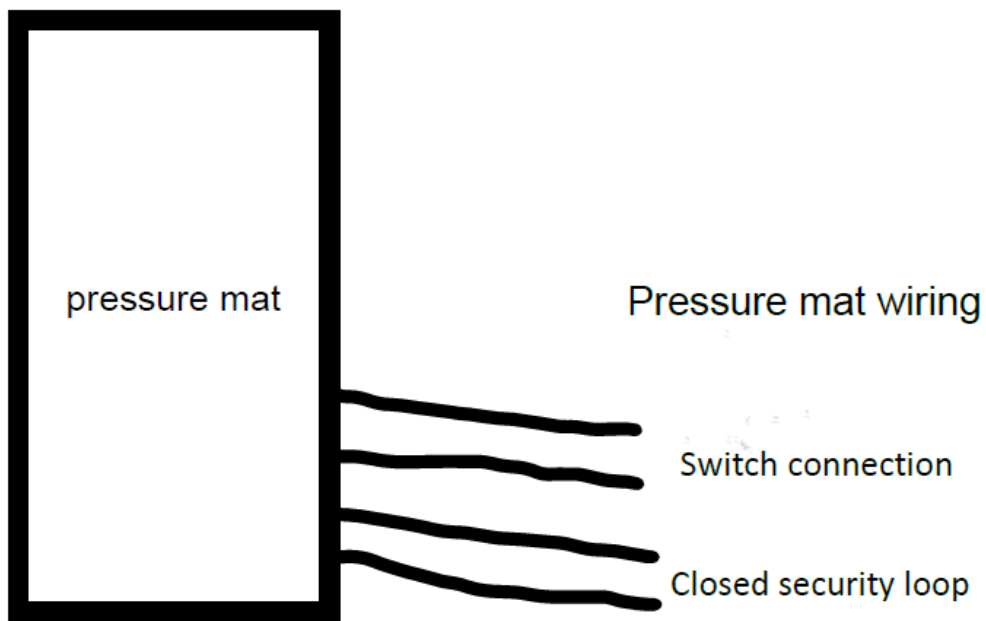
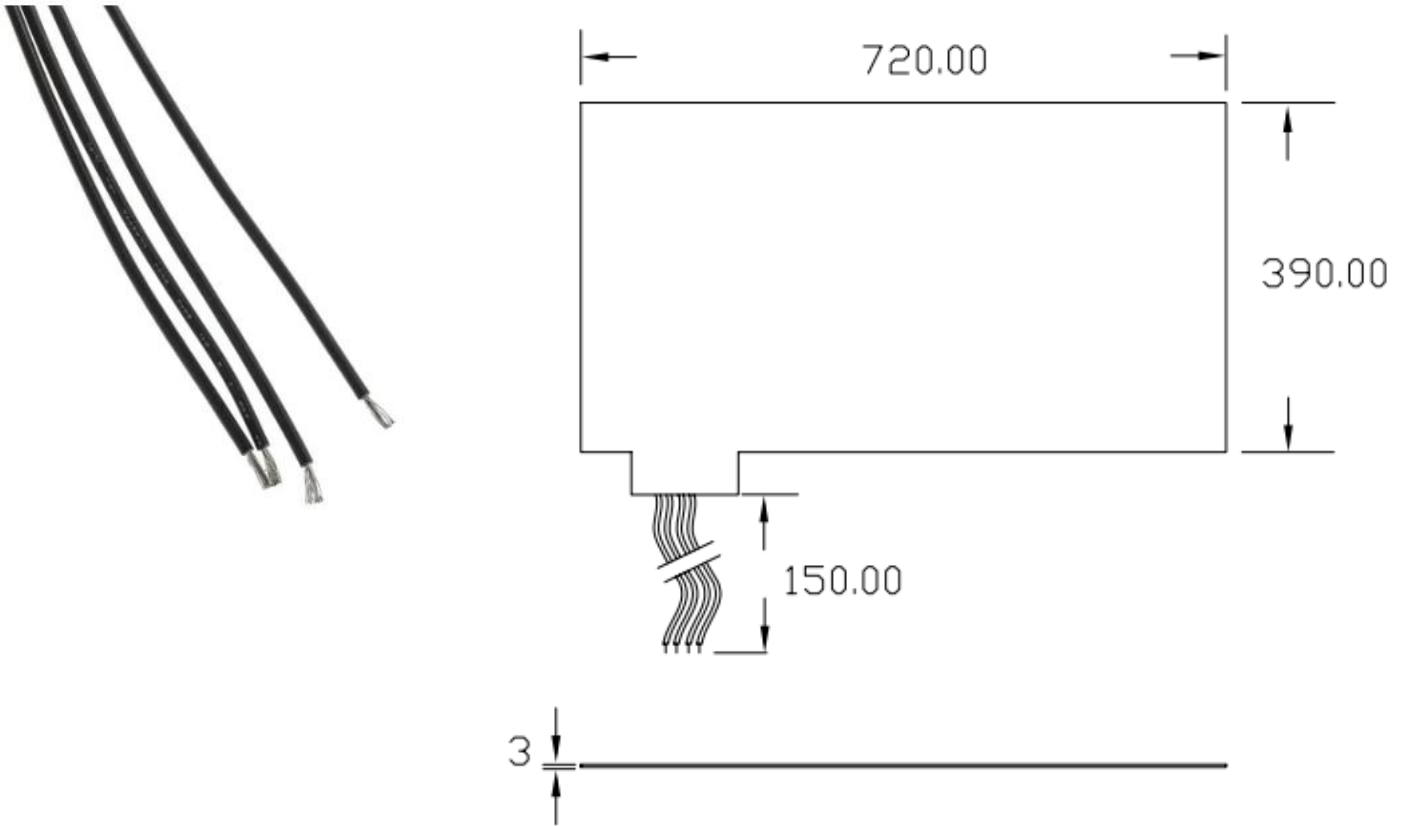
<b>Operating Temperature</b>	-10°C to +70°C
------------------------------	----------------

## Protection Category

<b>IP Rating</b>	IP64 (Not waterproof)
------------------	-----------------------

## Approvals

<b>Compliance/Certifications</b>	RoHS Compliant, ANSI/ESD S20.20:2014 and BS EN 61340-5-1:2007
----------------------------------	---



**Installation note:** To identify the wires please use a continuity meter.

With no load placed upon the mat, the two adjacent wires connected to the pressure mat switch surfaces will show an open circuit. The other two adjacent wires (security loop) will show as being a closed circuit.