

PLEASE CHECK WWW.MOLEX.COM FOR LATEST PART INFORMATION

Part Number: [0950097881](#)
Status: **Active**
Overview: [Magnetic and Modular Jacks/Plugs](#)
Description: [Modular Jack, Right-Angle, Through Hole, 8/8, Panel Stops](#)

Documents:

3D Model	Test Summary STR-1422-001 (PDF)
Drawing (PDF)	RoHS Certificate of Compliance (PDF)
Product Specification PS-95009-001-001 (PDF)	Product Literature (PDF)
Packaging Specification PK-95029-001 (PDF)	

Agency Certification

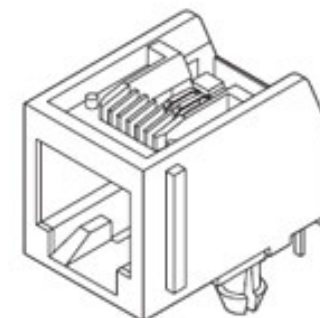
UL E107635

General

Product Family	Modular Jacks/Plugs
Series	95009
Comments	Flush Mount, Flush Mount
Component Type	PCB Jack
Magnetic	No
Overview	Magnetic and Modular Jacks/Plugs
Performance Category	3
Power over Ethernet (PoE)	N/A
Product Literature Order No	987650-8441
Product Name	Modular Jack 8/8, RJ45
UPC	884982793828

Physical

Color - Resin	Black
Durability (mating cycles max)	2500
Flammability	94V-0
Inverted / Top Latch	No
Jack Height	16.00mm
Lightpipes/LEDs	None
Material - Metal	Copper Alloy
Material - Plating Mating	Gold over Palladium Nickel
Material - Plating Termination	Tin
Material - Resin	High Temperature Thermoplastic
Net Weight	3.422/g
Orientation	Right Angle (Side Entry)
PCB Locator	Yes
PCB Retention	Yes
PCB Thickness - Recommended	1.57mm
Packaging Type	Tray
Panel Mount	With Flange
Pitch - Mating Interface	1.02mm
Pitch - Termination Interface	1.27mm
Plating min - Mating	1.270µm
Plating min - Termination	1.905µm
Port Configuration	1x1
Positions / Loaded Contacts	8/8
Surface Mount Compatible (SMC)	No
Temperature Range - Operating	-40° to +80°C
Termination Interface: Style	Through Hole
Waterproof / Dustproof	No
Wire/Cable Type	N/A



Series image - Reference only

EU ELV

Not Relevant

EU RoHS

Compliant

REACH SVHC

Not Contained Per - ED/71/2019 (16 July 2019)

Halogen-Free

Status

Not Low-Halogen

For more information, please visit [Contact US](#)

China ROHS

ELV

RoHS Phthalates

China RoHS

Green Image

Not Relevant

Not Contained

Search Parts in this Series

[95009 Series](#)

Mates With

FCC 68 Plugs

Electrical

Current - Maximum per Contact	1.5A
Shielded	No
Voltage - Maximum	125V DC

Material Info**Reference - Drawing Numbers**

Packaging Specification	PK-95029-001
Product Specification	PS-95009-001-001
Sales Drawing	SDA-95009-F-001
Test Summary	STR-1422-001

This document was generated on 09/19/2019

PLEASE CHECK WWW.MOLEX.COM FOR LATEST PART INFORMATION