

eSIGN / Accessories

Bracket for 1-sided mount. BK Type 4X**Part No.:** 960.000.65**MECHANICAL DATA**

| | |
|-----------------------|-------|
| Height | 98 mm |
| Diameter | 70 mm |
| Materials | PA-GF |
| Housing colour | Black |
| Weight with packaging | 65 g |
| Product weight | 56 g |

APPROVAL DATA

| | |
|-------------------------------|----|
| Conforms with CE | No |
| WEEE | No |
| Conforms with RED directive | No |
| Conforms with ATEX-directive | No |
| Conforms with CCC-Ex | No |
| Conforms with CCC | No |
| Conforms with UL | No |
| Conforms with FCC | No |
| Conforms with IC | No |
| EAC certificate available | No |
| Conforms with UKCA (Importer) | No |
| Conforms with CMIM | No |
| Conforms with AS-I | No |
| Conforms with DNV | No |
| Conforms with RoHS CN | No |
| Conforms with VdS | No |

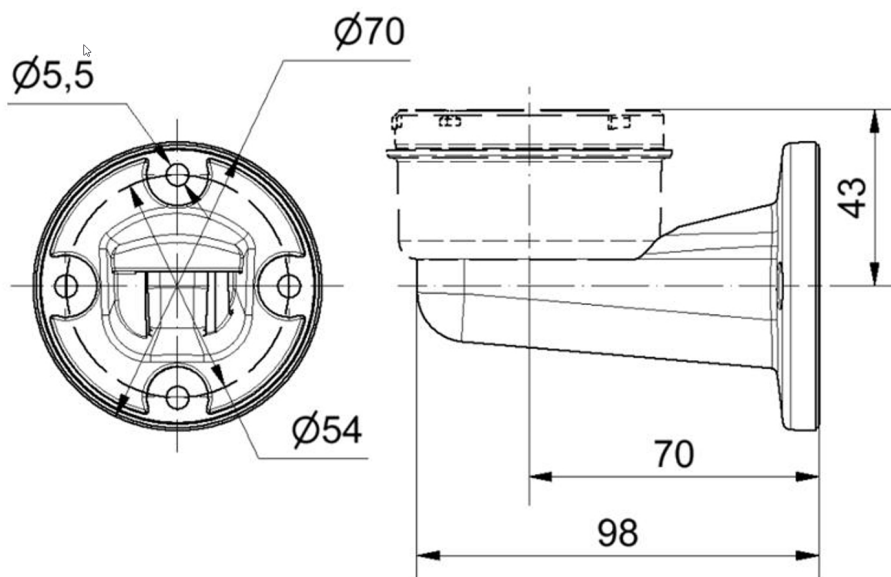


For additional installation and mounting information, refer to the appropriate user guide at www.werma.com. This printed copy is for information only and is subject to alteration.

eSIGN / Accessories

Bracket for 1-sided mount. BK Type 4X

DRAWING



For additional installation and mounting information, refer to the appropriate user guide at www.werma.com. This printed copy is for information only and is subject to alteration.