

965383-1 ✓ ACTIVE

MQS

TE Internal #: 965383-1

Other Automotive Connector Accessories, Other, Wire-to-Board /
Wire-to-Wire, PBT GF, Gray, -40 – 120 °C [-40 – 248 °F], MQS

[View on TE.com >](#)



Connectors > Automotive Connectors > Connector Accessories > Other Connector Accessories



Automotive Connector Accessory Type: **Other**

Connector System: **Wire-to-Board, Wire-to-Wire**

Primary Product Material: **PBT GF**

Primary Product Color: **Gray**

Operating Temperature Range: **-40 – 120 °C [-40 – 248 °F]**

Features

Product Type Features

Automotive Connector Accessory Type	Other
Connector System	Wire-to-Board, Wire-to-Wire

Body Features

Primary Product Material	PBT GF
Primary Product Color	Gray

Usage Conditions

Operating Temperature Range	-40 – 120 °C[-40 – 248 °F]
-----------------------------	----------------------------

Industry Standards

UL Flammability Rating	UL 94HB
------------------------	---------

Packaging Features

Packaging Quantity	5000
Packaging Method	Bag

Other

Serviceable	Yes
-------------	-----

Product Compliance

[For compliance documentation, visit the product page on TE.com>](#)

EU RoHS Directive 2011/65/EU	Compliant
------------------------------	-----------



EU ELV Directive 2000/53/EC	Compliant
China RoHS 2 Directive MIIT Order No 32, 2016	No Restricted Materials Above Threshold
EU REACH Regulation (EC) No. 1907/2006	Current ECHA Candidate List: JAN 2022 (223) Candidate List Declared Against: JAN 2022 (223) Does not contain REACH SVHC
Halogen Content	Not Low Halogen - contains Br or Cl > 900 ppm.
Solder Process Capability	Not applicable for solder process capability

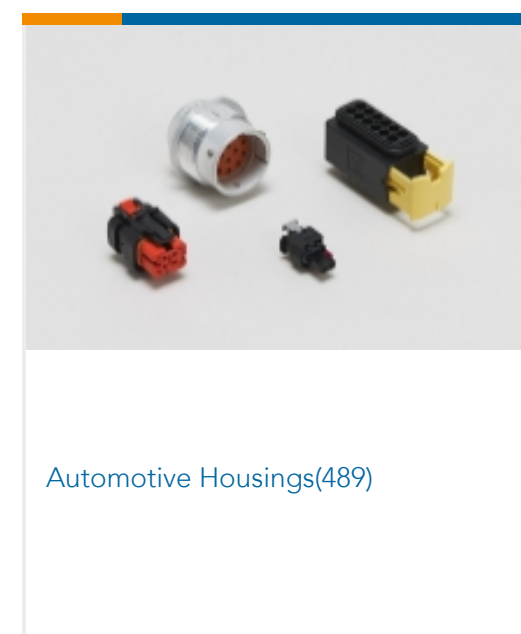
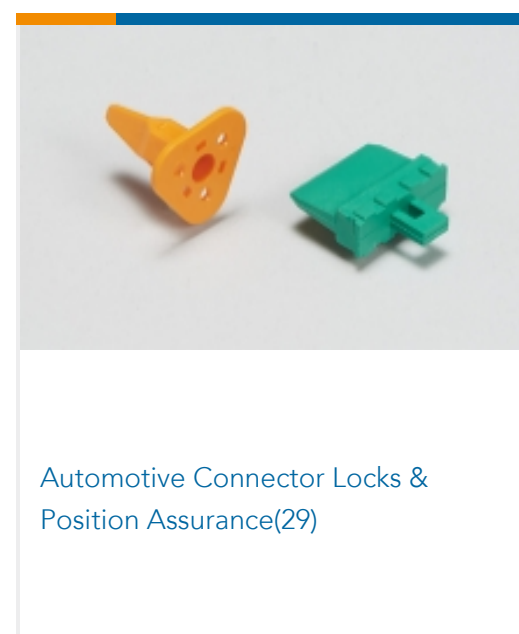
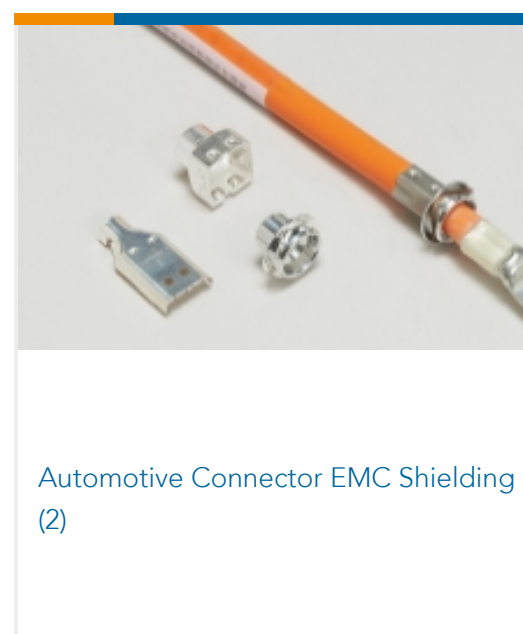
Product Compliance Disclaimer

This information is provided based on reasonable inquiry of our suppliers and represents our current actual knowledge based on the information they provided. This information is subject to change. The part numbers that TE has identified as EU RoHS compliant have a maximum concentration of 0.1% by weight in homogenous materials for lead, hexavalent chromium, mercury, PBB, PBDE, DBP, BBP, DEHP, DIBP, and 0.01% for cadmium, or qualify for an exemption to these limits as defined in the Annexes of Directive 2011/65/EU (RoHS2). Finished electrical and electronic equipment products will be CE marked as required by Directive 2011/65/EU. Components may not be CE marked. Additionally, the part numbers that TE has identified as EU ELV compliant have a maximum concentration of 0.1% by weight in homogenous materials for lead, hexavalent chromium, and mercury, and 0.01% for cadmium, or qualify for an exemption to these limits as defined in the Annexes of Directive 2000/53/EC (ELV). Regarding the REACH Regulation, the information TE provides on SVHC in articles for this part number is based on the latest European Chemicals Agency (ECHA) 'Guidance on requirements for substances in articles' posted at this URL: <https://echa.europa.eu/guidance-documents/guidance-on-reach>

Compatible Parts



Also in the Series | MQS





Automotive Seals & Cavity Plugs(26)



Automotive Terminals(96)



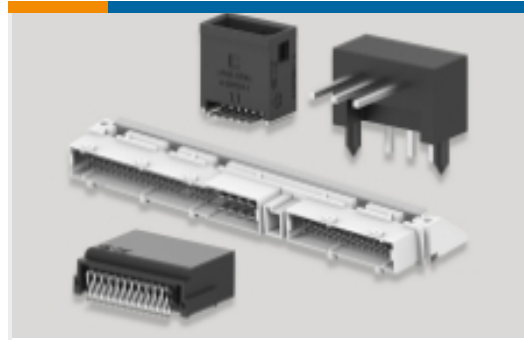
Data Connectivity Headers(1)



Insertion & Extraction Tools(42)



Other Automotive Connector Accessories(13)



PCB Headers & Receptacles(206)

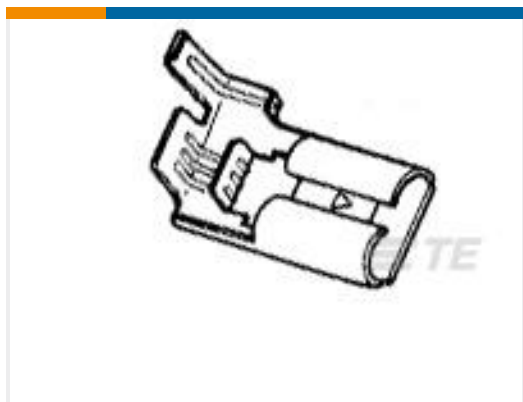
Customers Also Bought



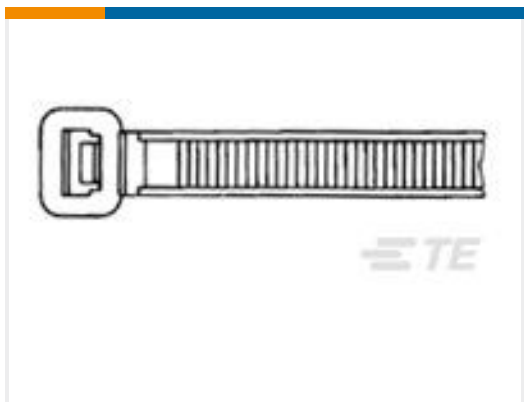
TE Part #928884-2
 110 FASTON FLAG REC 22-18 AWG
 BR



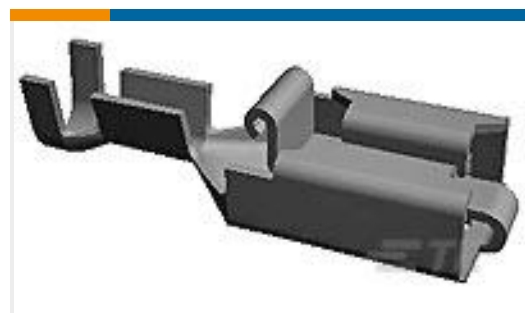
TE Part #1801823-3
 4POS,MCON 0.5 CB,REC HSG,BLUE,
 ASSY,SLD



TE Part #1-1627087-0
 RECEPTACLE, FLAG QC 4.8x0.8
 (H25411)



TE Part #2-160967-2
 CABLE TY 98X2.5 BLA



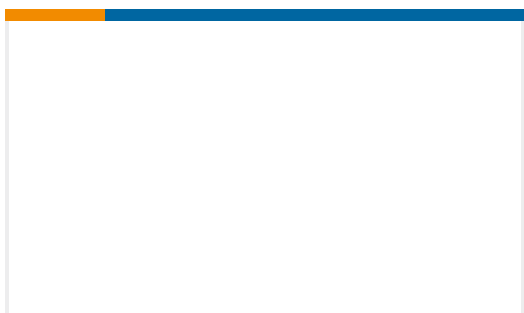
TE Part #880646-6
 POSITIVE LOCK REC.



TE Part #023173-000
 RBK-ILS-125-NR.1-0-30MM



TE Part #6776556004
 RPPM-NR510-X-50MM



TE Part #2208339-3
 10POS,NANOMQS,REC HSG,COD C



TE Part #279328-1
 MOTOR TERMINAL II



TE Part #3-694433-2
 FEED PAWL

Documents



Product Drawings

MQS SICHERGSCHIEBER 8POS

English

CAD Files

3D PDF

English

Customer View Model

[ENG_CVM_965383-1_B1.2d_dxf.zip](#)

English

Customer View Model

[ENG_CVM_965383-1_B1.3d_igs.zip](#)

English

Customer View Model

[ENG_CVM_965383-1_B1.3d_stp.zip](#)

English

By downloading the CAD file I accept and agree to the [Terms and Conditions](#) of use.

Product Specifications

Product Specification

English

Product Environmental Compliance

[MD_965383-1_041420162255_dmtec](#)

English

[MD_965383-1_041420162255_dmtec](#)

English