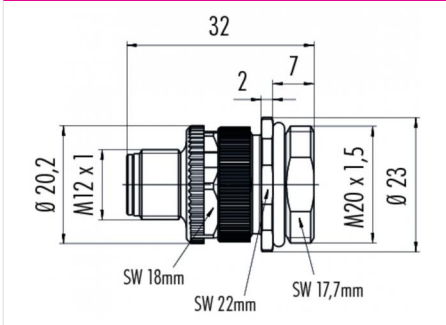


| | |
|---------------------|--|
| Product description | Contacts: 3+PE, male panel mount connector, power, S-coding, screw terminal connection, fixing thread M20x1.5 |
| Area | M12-S, M12-K Series 814 S-coding |
| Order number | 99 0693 500 04 |

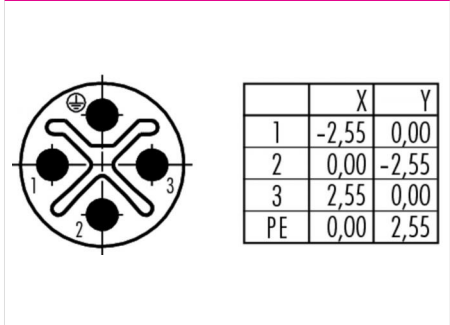
Illustration



Scale drawing



Contact arrangement



You can find the assembly instructions on the next page.

Technical data

General values

| | |
|--------------------------|----------------------------|
| Connector design | male panel mount connector |
| Connector locking system | bolted |
| Termination | screw clamp |
| Wire gauge (mm) | 1.50 mm ² |
| Wire gauge (AWG) | 16 |
| Upper limit temperature | 85 °C |
| Lower limit temperature | -40 °C |
| Customs tariff number | 85369010 |

Electrical values

| | |
|---------------------------|---------------------|
| Rated current (40 °C) | 12 A |
| Rated voltage | 630 V |
| Rated impulse voltage | 6000 V |
| Pollution degree | 3 |
| Overvoltage category | III |
| Insulating material group | II |
| Volume resistivity | ≤ 5 mΩ |
| Degree of protection | IP68 |
| Mechanical operation | > 100 Mating cycles |

Cable data

| | |
|------------|-----|
| Approval 1 | UL |
| Approval 2 | VDE |

Material

| | |
|-----------------------|--------------|
| Contact material | CuZn (brass) |
| Contact plating | Au (gold) |
| Contact body material | PA |
| Housing material | PA |

Product description

Contacts: 3+PE, male panel mount connector, power, S-coding, screw terminal connection, fixing thread M20x1.5

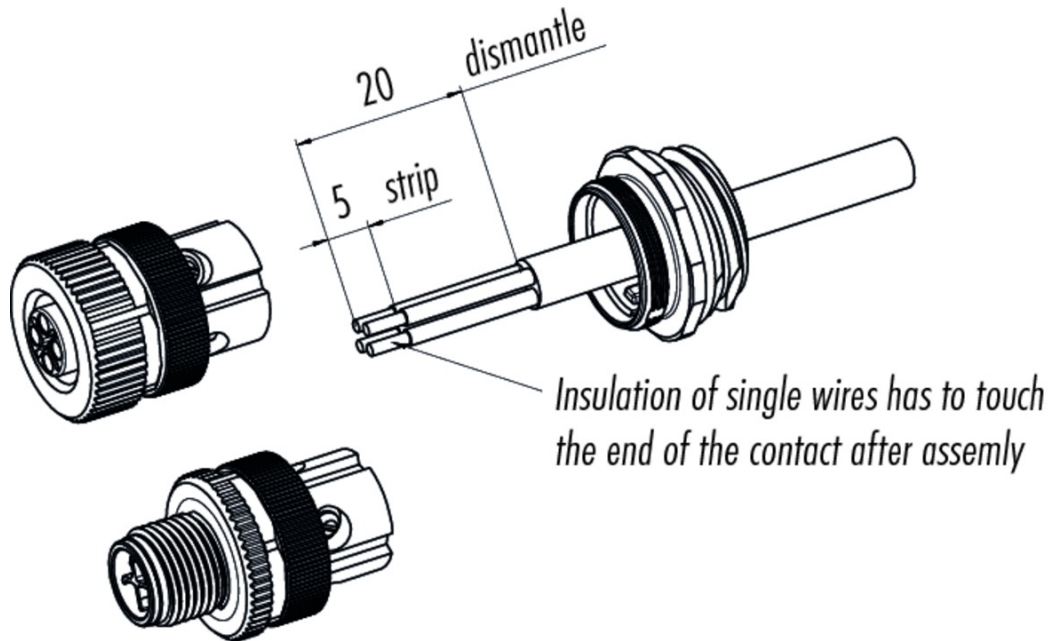
Area

M12-S, M12-K Series 814 S-coding

Order number

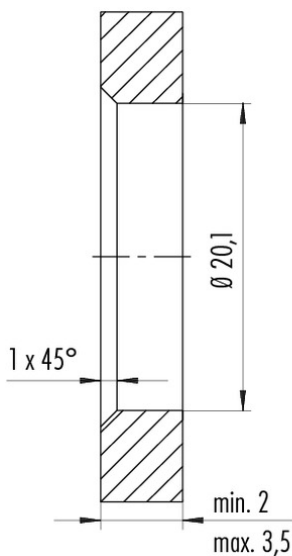
99 0693 500 04

Assembly instructions / Panel cut-out

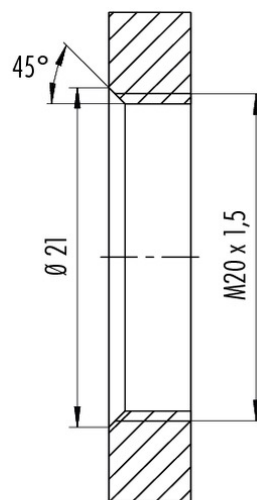


Assembly instructions / Panel cut-out

Mit Durchgangsbohrung
With bore hole



Mit Gewinde, einschraubbar
With thread to screw in



Anzugsdrehmoment/Tightening torque
M20 x 1,5 2 Nm

| | |
|---------------------|--|
| Product description | Contacts: 3+PE, male panel mount connector, power, S-coding, screw terminal connection, fixing thread M20x1.5 |
| Area | M12-S, M12-K Series 814 S-coding |
| Order number | 99 0693 500 04 |

Security notices

The connector must not be connected or separated under load. Non-observance and incorrect use can result in personal injury.

The connectors are designed for use in plant, control system and electrical equipment. The end user is responsible for checking whether the connectors are suitable for use in other applications.

The end user must take suitable safety measures to ensure that the connector cannot be disconnected accidentally. Connectors with degree of protection IP 67 and IP 68 are not suitable for use under water. When used outdoors, the connectors must be separately protected against corrosion. For further information about IP degrees of protection refer to 'Technical support' in the Download Centre.