

StampS3BreakOut

SKU:A129



Description

The **StampS3Breakout** board is an expansion board designed specifically for the M5StampS3. It transfers the M5StampS3's 1.27mm pitch pin to a standard 2.54mm pitch for easy connection with other devices. In addition, a 2.0mm pitch 4pin **Grove port** is provided on the board for easy access to other M5 Units. Two **tact switches** are connected to the G0 and EN pins, respectively, for power and reset control. Reserved fixing holes allow users to install. The board is suitable for prototyping, M5Stack project expansion, and embedded system development.

Features

- Pin Transfer: Transfer the M5StampS3's 1.27mm pitch pin to the standard 2.54mm pitch for easy connection with other devices.
- Expansion interface: Provide 2.0mm 4pin Grove port for easy access to other M5 Unit modules.
- Control functions: Two tact switches for power and reset control for added flexibility.
- Convenient installation: Reserved fixing holes are convenient for fixed installation, suitable for various application scenarios.
- High scalability: Provide users with options for expanded functionality and flexibility.
- Compatibility: Compatible with the M5Stack ecosystem for seamless integration with other M5 devices.

Includes

- 1 * M5StampS3BreakOut
- 2 * 2.54-12P header
- 1 * 2.54-6P header
- 1 * 4P-Grove interface

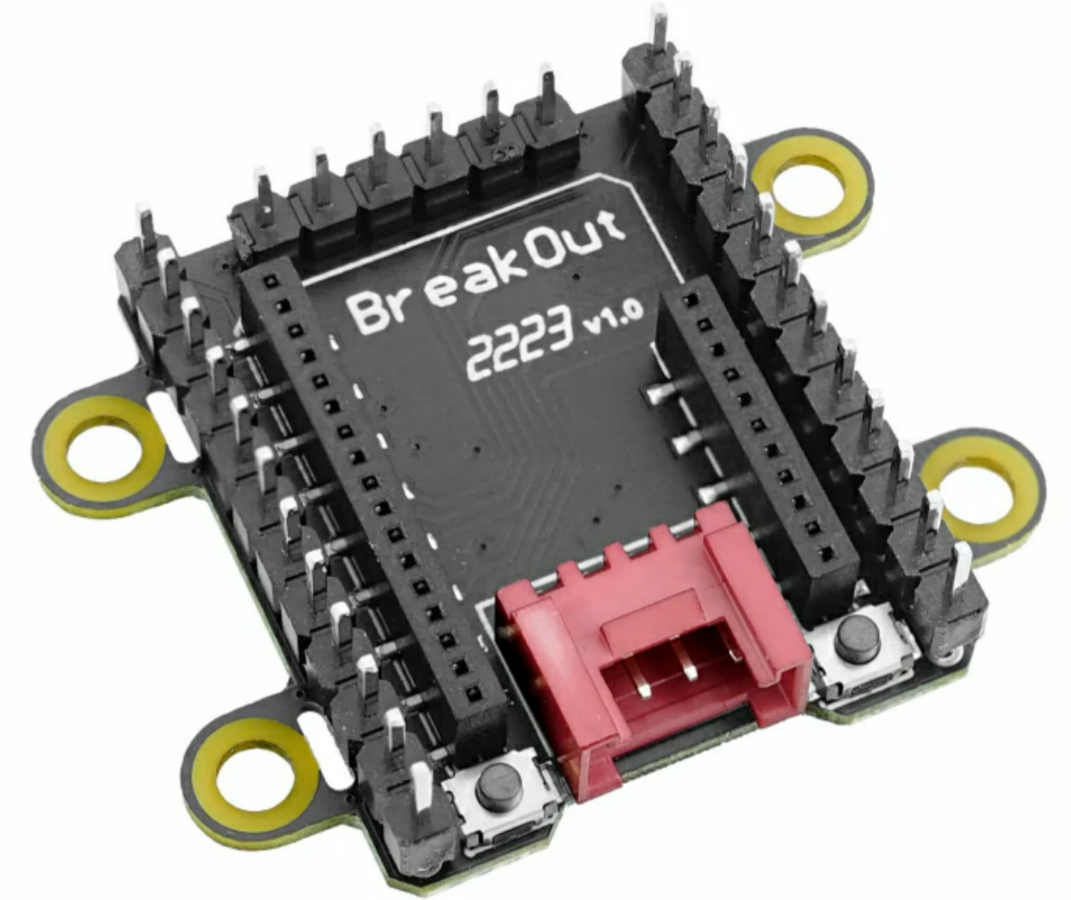
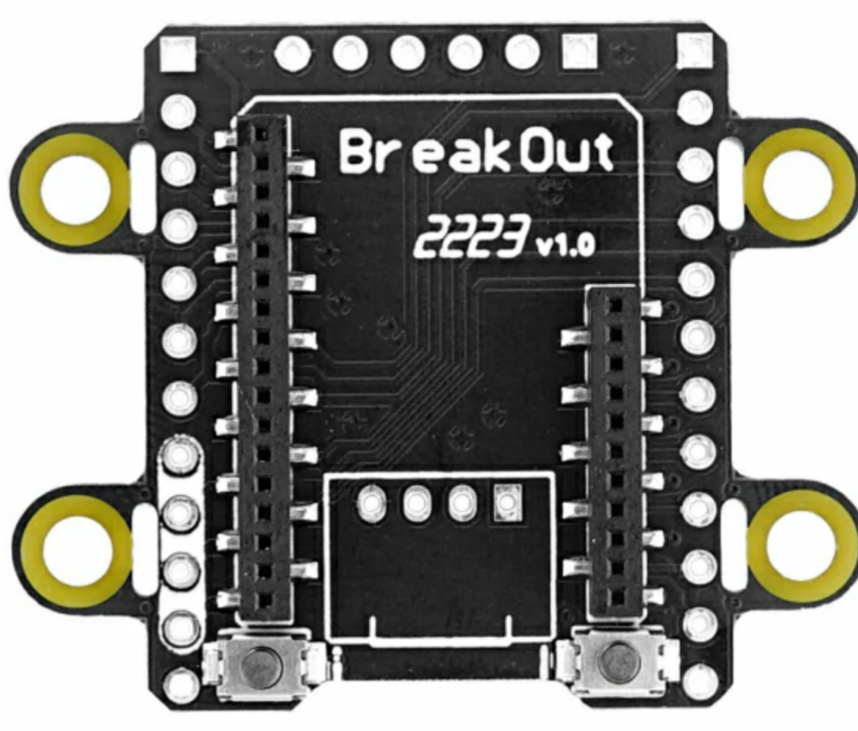
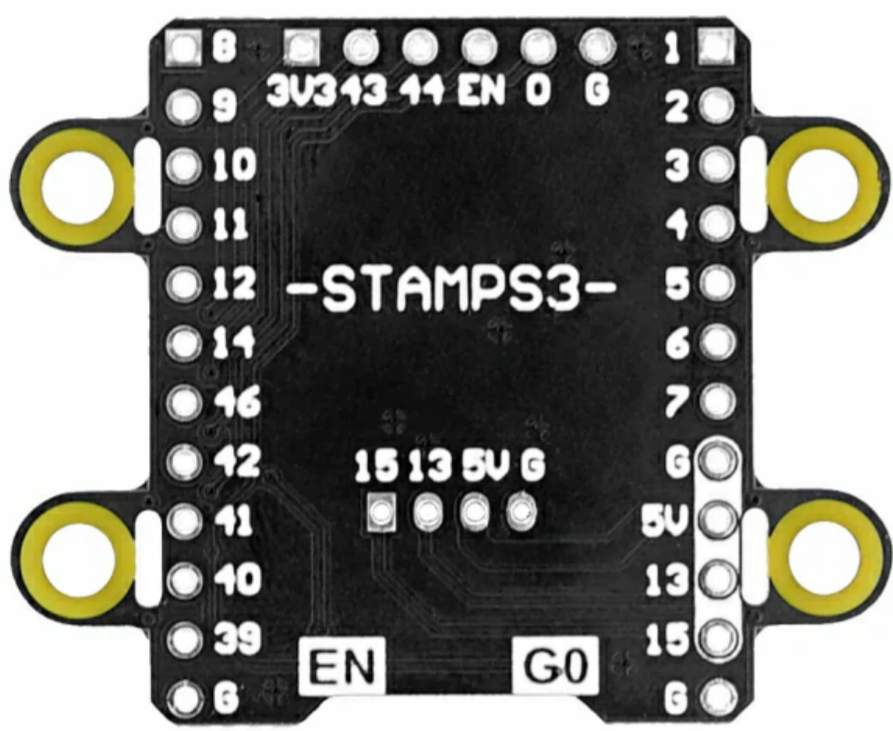
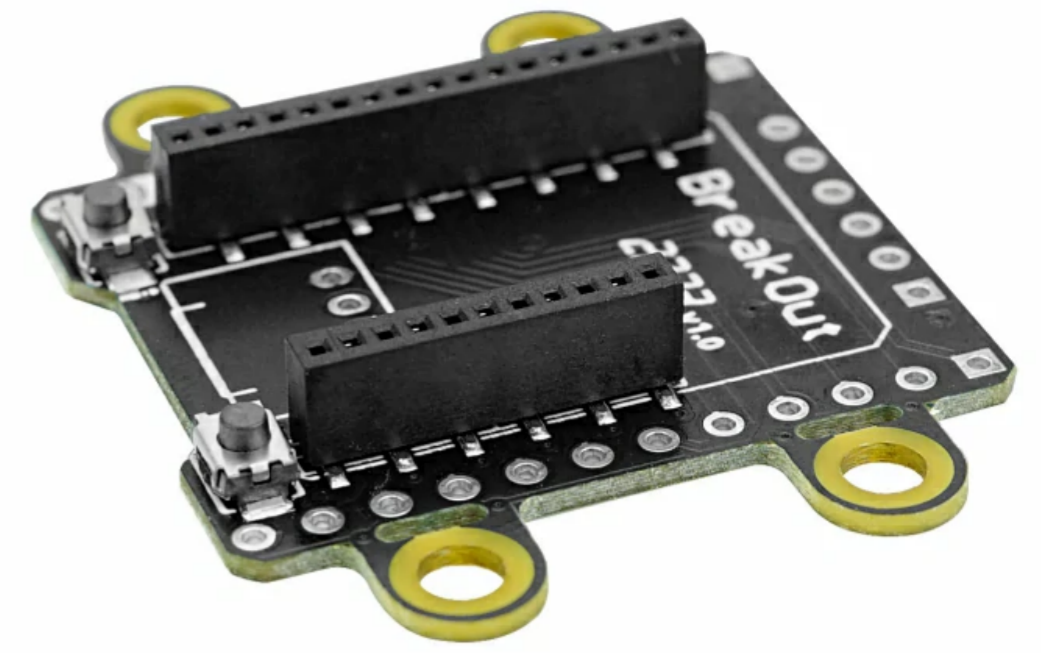
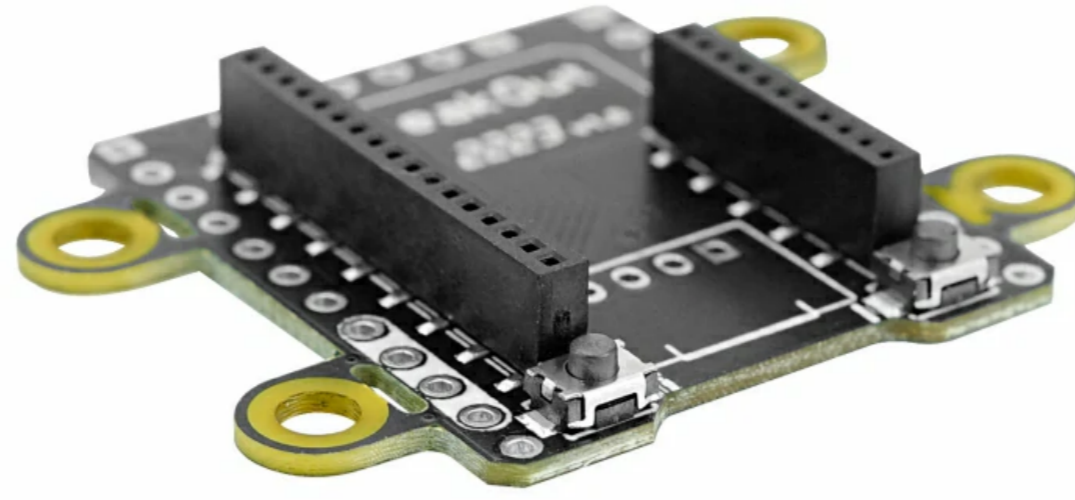
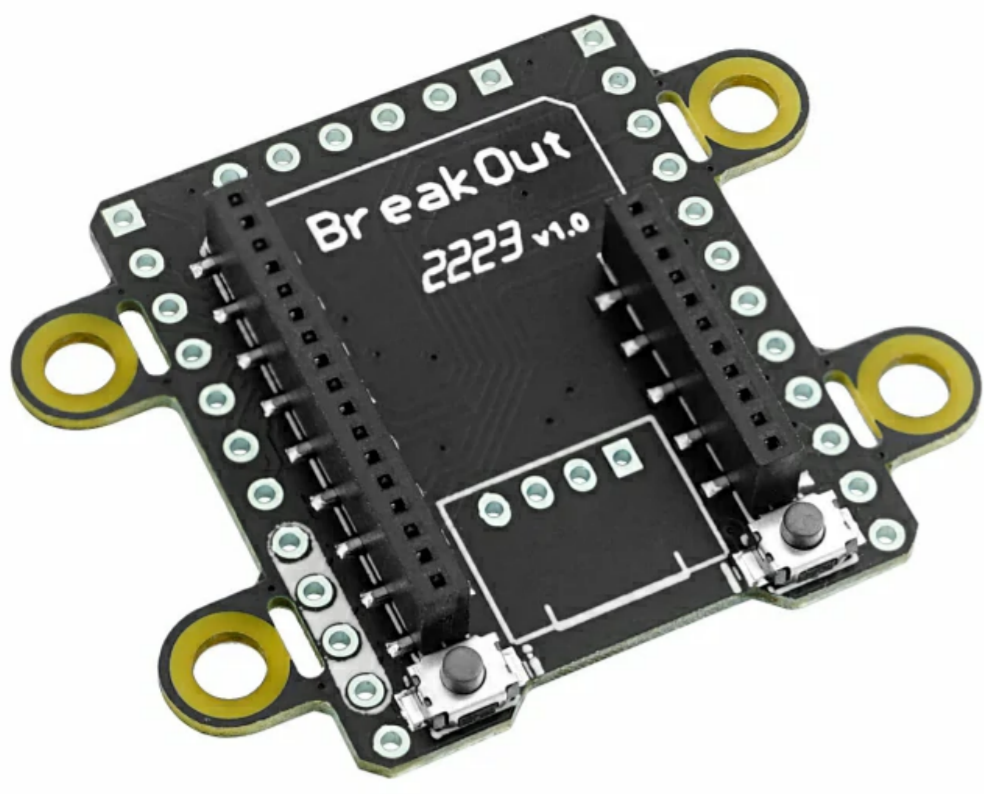
Applications

- Prototyping
- M5Stack project extension
- Embedded system development

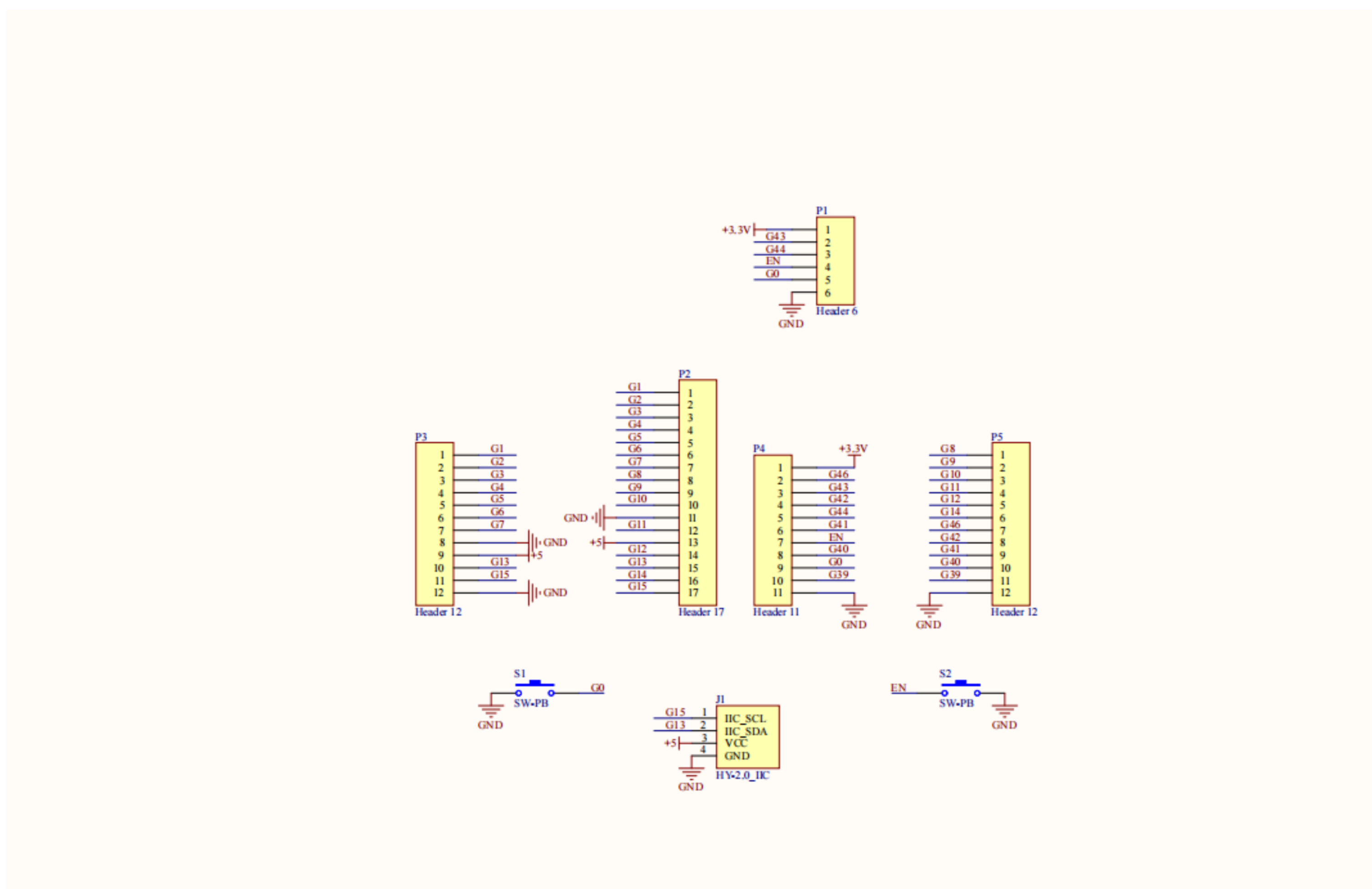
Specification

Resources	Parameters
IO interface	G0/G1/G2/G3/G4/G5/G6/G7/G8/G9/G10/G11/G12/G13/G14/G15/G39/G40/G41/G42/G43/G44/G46
x23	
Interface type	2.54mm pin header/2.0mm Grove Interface
Button	GPIO0 and EN
fixing hole diameter	3mm
Product Size	38*30.54*6mm
Package Size	136mm*92mm*13mm
Product Weight	2.7g
Package Weight	6.6g

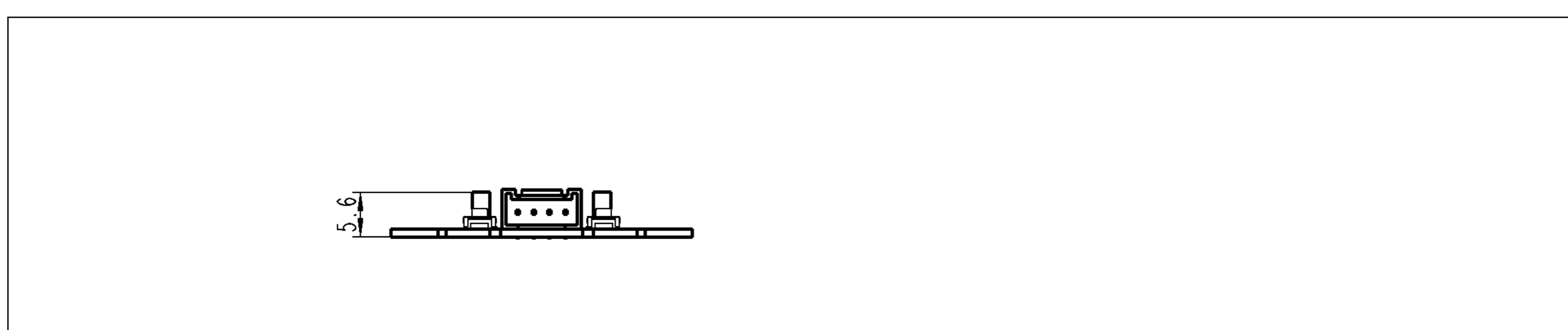
Products related to this item

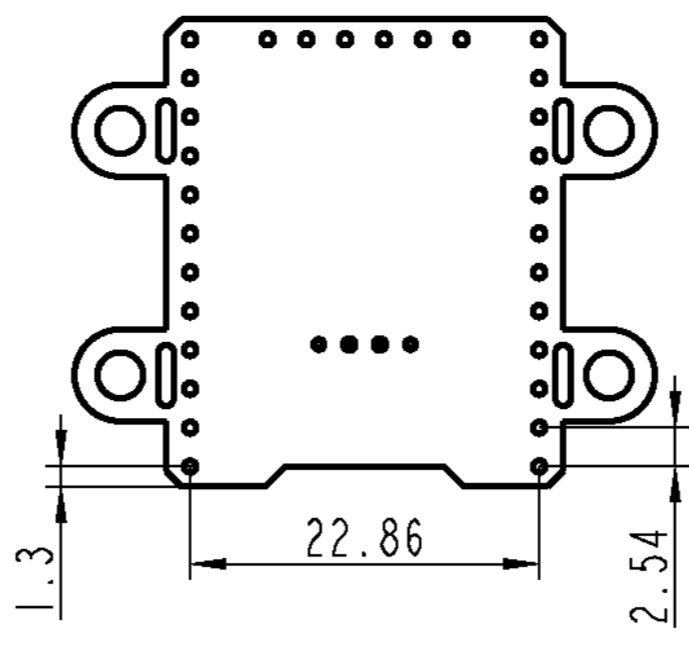
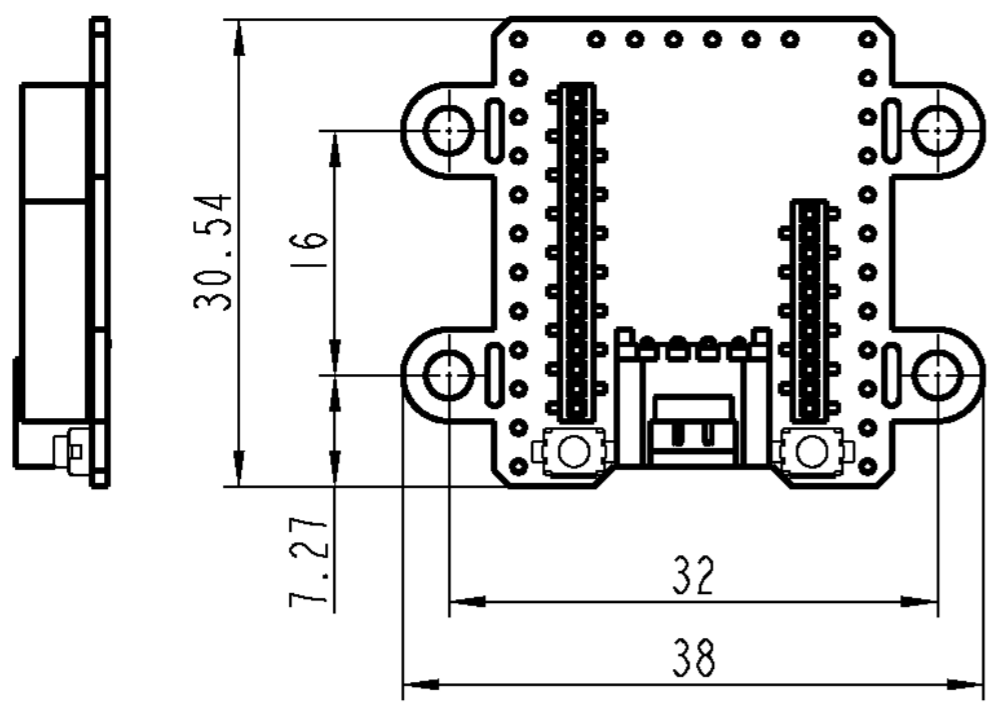


Schematic



Module Size





UNIT: mm