



Main

Range of product	Phaseo Optimum
Product or component type	Safety and isolation transformer
Rated power in VA	2500 VA
Input voltage	230 V AC single phase, terminal(s): N-L1 400 V AC phase to phase, terminal(s): L1-L2
Output voltage	230 V AC
Secondary winding	Single
Protective cover	Without
Ambient air temperature for operation	-20...50 °C

Complementary

Input voltage limits	207...253 V 360...440 V
Network frequency limits	47...63 Hz
Input voltage tolerance	+/- 15 V
Efficiency	96 %
Power dissipation in W	104.2 W
Output sustained overvoltage	3 % (no load, hot state)
Voltage drop at rated load	<= 0 %
No load losses	23.4 W
Short-circuit voltage	0,0873
Output protection type	Against overload, protection technology: external Against overvoltage, protection technology: external Against short-circuits, protection technology: external
Connections - terminals	Screw type terminals for input ground connection, connection capacity: 1 x 4 mm ² AWG 11 Screw type terminals for output connection, connection capacity: 2 x 4 mm ² AWG 11 Screw type terminals for input connection, connection capacity: 8 x 4 mm ² AWG 11
Marking	CE
Fixing mode	By 4 screws, screw(s) Ø = 10 mm on horizontal panel with derating to 90 % By 4 screws, screw(s) Ø = 10 mm on vertical panel, operating position: horizontal By 4 screws, screw(s) Ø = 10 mm on vertical panel, operating position: vertical
Operating altitude	3000 m
Electrical insulation class	Class F

Disclaimer: This documentation is not intended as a substitute for and is not to be used for determining suitability or reliability of these products for specific user applications

Width	198 mm
Height	322 mm
Depth	145 mm
Product weight	27.4 kg

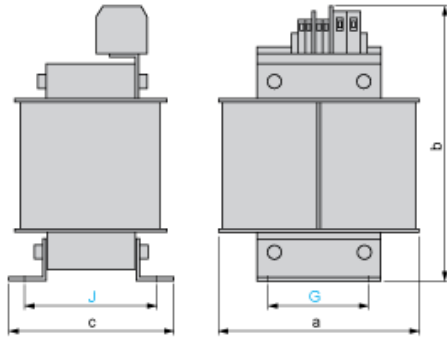
Environment

Product certifications	UR EAC
Standards	UL 506
IP degree of protection	IP20
Environmental characteristic	EMC conforming to EN 62041 Safety conforming to EN 61558-1 Safety conforming to EN 61558-2-6
Protective treatment	TC
Ambient air temperature for storage	-40...80 °C
Overvoltage category	Class I conforming to VDE 0106-1
Dielectric strength	Between winding and ground Between primary and secondary

Contractual warranty

Warranty period	18 months
-----------------	-----------

Dimensions



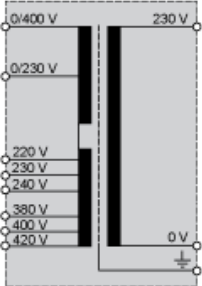
Dimensions in mm

a	b	c	G	J	Ø
198	335	145	125	117	10

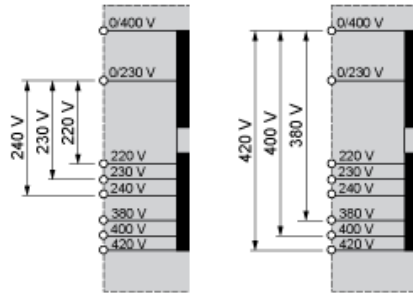
Dimensions in in.

a	b	c	G	J	Ø
7.79	13.19	5.71	4.92	4.61	0.39

Internal Scheme



Primary Voltage Wiring



Secondary Voltage Wiring

