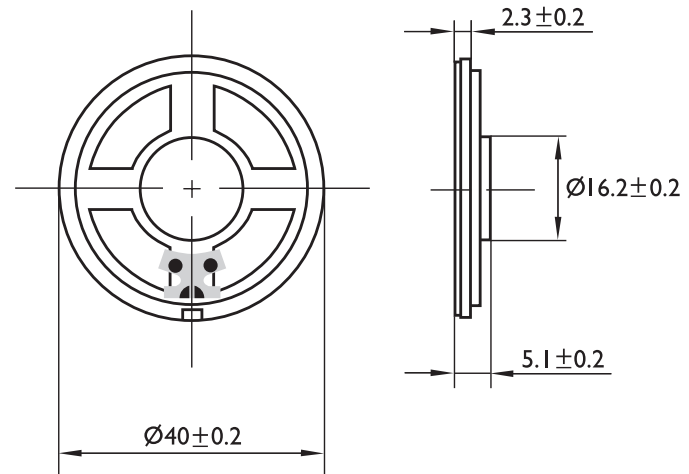


Specifications	ABS-220-RC
Rated impedance	8±15%Ω
Nominal power	0.5W
Maximum power	0.8W
Resonant frequency	600±25%Hz
Frequency range	F 0-6,000Hz
Sound pressure level at 0.1W/0.1m	96±3dB
Magnet material	Nd-Fe-B
Magnet size	∅12.5x1.5mm
Operating temperature	-20~+60°C
Storage temperature	-30~+60°C
Weight	9.2g



### Features

- ROHS compliant
- Cone material: Mylar

All data at 25°C unless otherwise specified

**Dimensions** Unit: mm



Alan Butcher Components

**Alan Butcher Components Ltd**

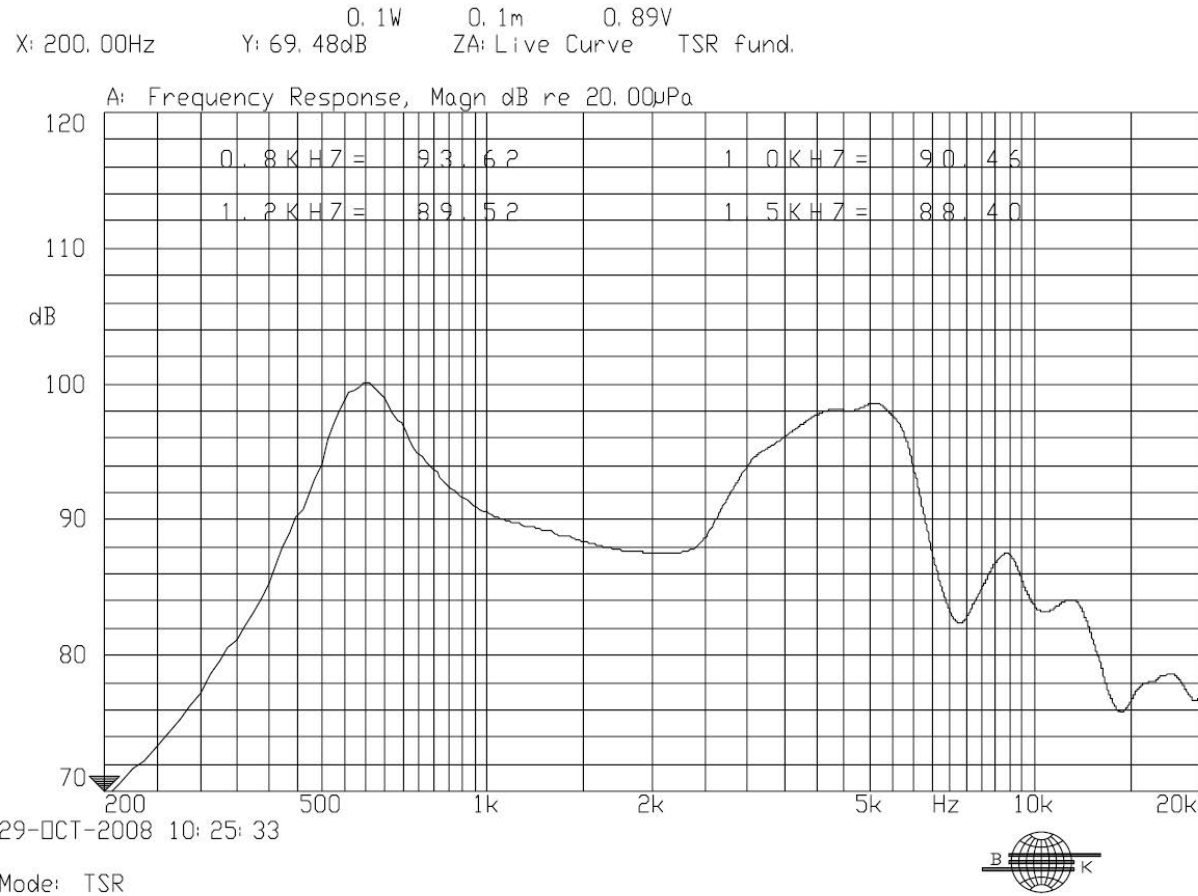
Unit 1 Beechwood Clump Farm Industrial Estate Tin Pot Lane Blandford Dorset DT11 7TD

**Telephone** 01258 456360 **Email** sales@abcomponents.co.uk

**www.abcomponents.co.uk**

# ABS-220-RC SPEAKER - Frequency Curve

SPEAKERS



**Alan Butcher Components Ltd**  
Unit 1 Beechwood Clump Farm Industrial Estate Tin Pot Lane Blandford Dorset DT11 7TD  
**Telephone** 01258 456360 **Email** sales@abcomponents.co.uk  
**www.abcomponents.co.uk**