

ABS-222-150-RC SPEAKER WITH 150MM LEADS WITH MOLEX KK CONNECTOR

SPEAKERS

Specifications

ABS-222-150-RC

Rated impedance	8±15%Ω
Nominal power	1W
Maximum power	1.2W
Resonant frequency	550±20%Hz
Frequency range	F0-11,000Hz
Sound pressure level at 1W/1m	85±3dB
Operating temperature	-20°C~+60°C
Storage temperature	-30°C~+60°C
Weight	8.25g
Magnet material	Nd-Fe-B
Magnet size	∅12.5x1.5mm

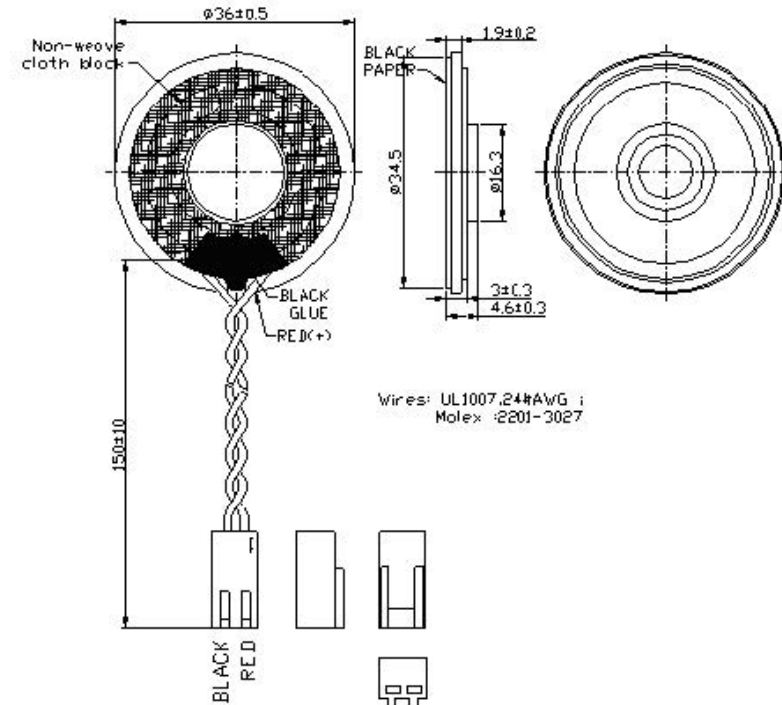
Features

- ROHS compliant
- Voice coil diameter: ∅13.28mm

Material

- Frame & Plate: SPCC
- Diaphragm: Black PET
- Voice coil: Copper Wire
- PCB: Epoxy
- Front Gasket: Black Paper

All data at 25°C unless otherwise specified



Dimensions Unit: mm



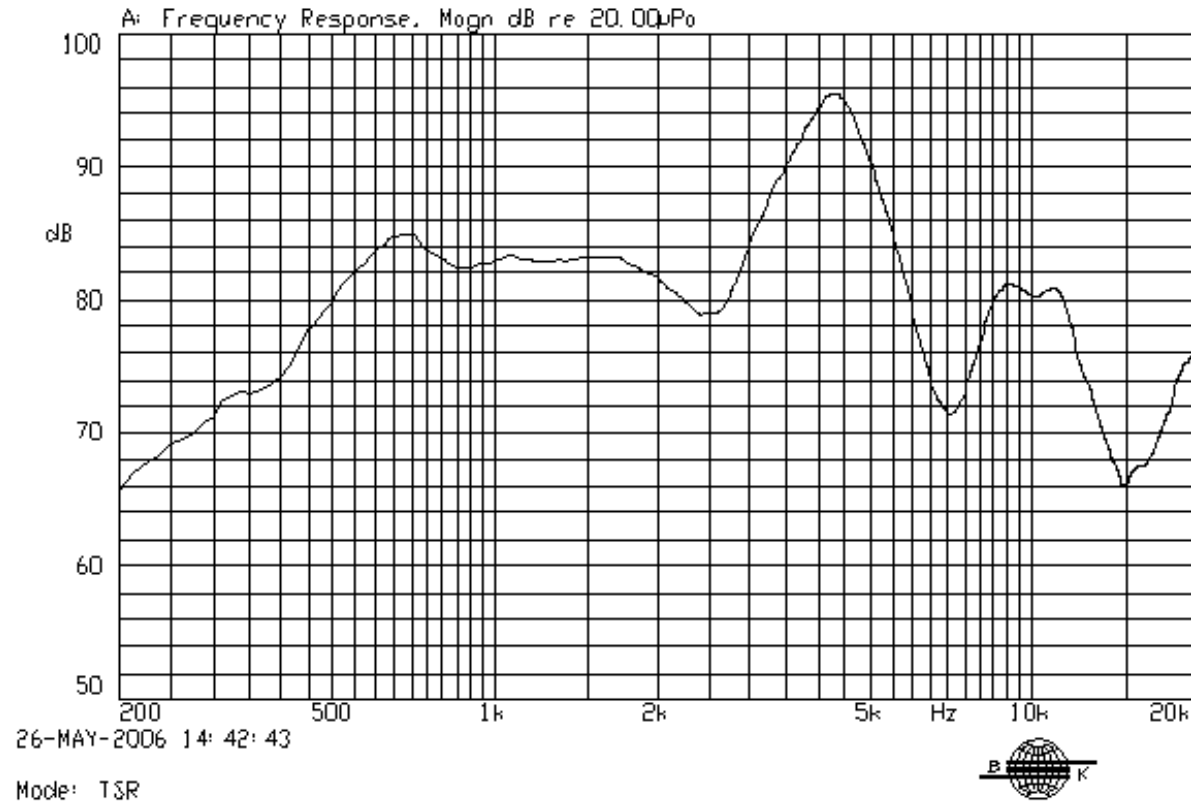
Alan Butcher Components

Alan Butcher Components Ltd

Unit 1 Beechwood Clump Farm Industrial Estate Tin Pot Lane Blandford Dorset DT11 7TD

Telephone 01258 456360 Email sales@abcomponents.co.uk

www.abcomponents.co.uk



Alan Butcher Components

Alan Butcher Components Ltd

Unit 1 Beechwood Clump Farm Industrial Estate Tin Pot Lane Blandford Dorset DT11 7TD

Telephone 01258 456360 Email sales@abcomponents.co.uk

www.abcomponents.co.uk