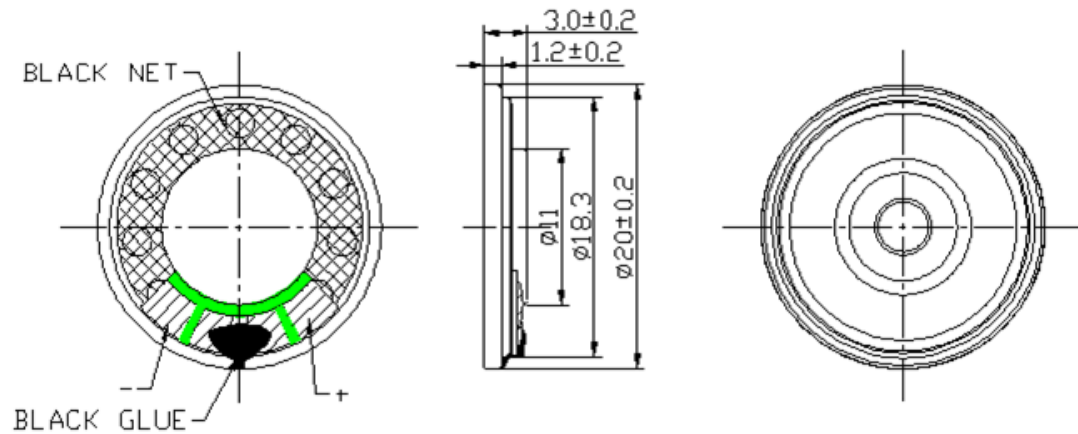


ABS-261-RC 20x3.0tmm 100OHM DYNAMIC SPEAKER

SPEAKERS

Specifications

	ABS-261-RC
Rated impedance	100±15%Ω@2kHz/0.1W
Rated input power	0.15W
Max. input power	0.3W
Resonant frequency F ₀	600±20% Hz/0.1W
Frequency range	F0Hz-5,000Hz
Sound pressure level at (AVG 0.8, 1.0, 1.2, 1.5)KHz 0.1W/0.1m baffleboard IEC	83±3dB
Total harmonic distortion	5%MAX. at 2KHz/0.1W
Voice coil diameter	φ8.7mm
Magnet (NdFeB)	φ7.5×1.0t mm
Operating temperature	-20~+60°C
Storage temperature	-20~+60°C
Weight	2.4g



Material

Frame - SPCC	Plate - SPCC
Diaphragm - Black PET	Magnet - NdFeB
Voice coil - Self bonding wire	PCB - FR4



Alan Butcher Components

Alan Butcher Components Ltd

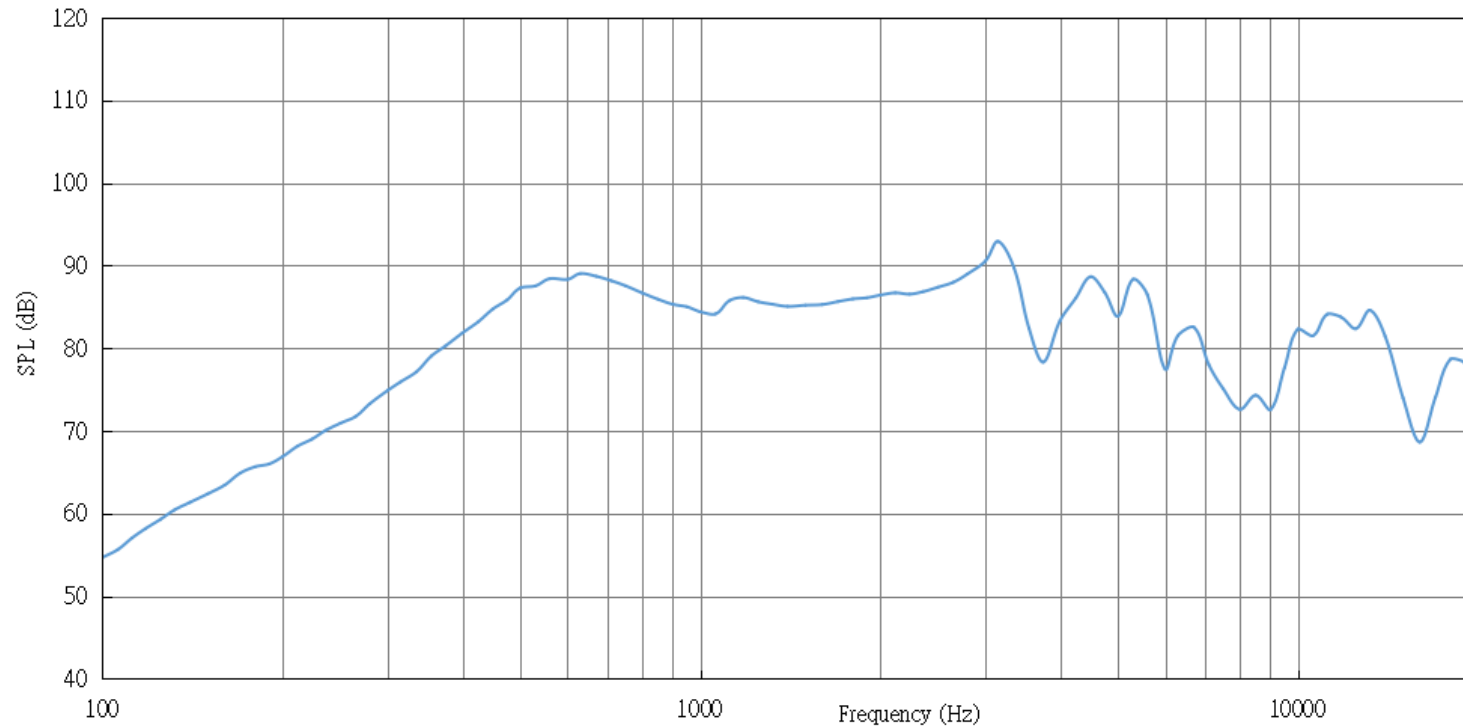
Unit 1 Beechwood Clump Farm Industrial Estate Tin Pot Lane Blandford Dorset DT11 7TD

Telephone 01258 456360 Email sales@abcomponents.co.uk

www.abcomponents.co.uk

ABS-261-RC 20x3.0tmm 100OHM DYNAMIC SPEAKER - Frequency Response Curve

SPEAKERS



Alan Butcher Components

Alan Butcher Components Ltd

Unit 1 Beechwood Clump Farm Industrial Estate Tin Pot Lane Blandford Dorset DT11 7TD

Telephone 01258 456360 Email sales@abcomponents.co.uk

www.abcomponents.co.uk