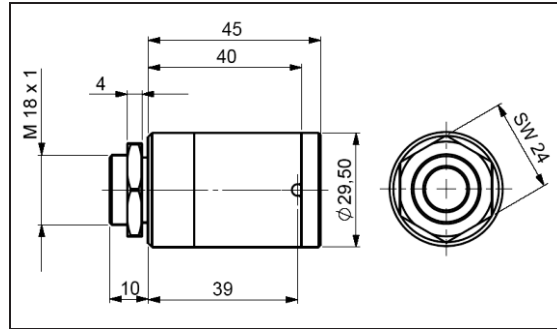
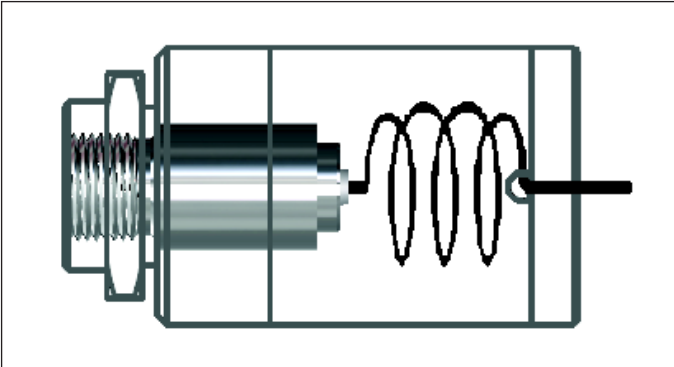


Massive Housing



Massive housing, stainless steel [D06ACCTMHS] – also available in aluminum (anodized) or brass



The Massive housing allows reproducible and stable measurements on applications with significant and short-term variation in ambient temperatures. It can be combined with the CF lens [ACCTCFE] or with the protective window [ACCTPWE].

► 2.8 CF Lens and Protective Window

IMPORTANT: For an optimum function of the massive housing 10 cm of the head cable must be installed in loops inside the housing.