

AKZS950/..G-5.08-GREEN

TS 32/35, 19- 24 poles on request



Technical Data

Wire Sizes		Insulating Material	
Solid min	0.2 mm ²	Material	PA 6.6
solid max	4.0 mm ²	Flammability Class	UL 94 V-0
Stranded (flexible)		Temperatures	
min	0.2 mm ²	Operating Temperature	-30 °C - 105 °C
Stranded (flexible)		Wave Soldering Process	
max	2.5 mm ²	Soldering Temperature,	- recommended
Stranded with Ferrule		Reflow Process	
min	0.25 mm ²	Soldering Temperature,	- recommended
Stranded with Ferrule		Peak Soldering Time,	
max	2.5 mm ²	recommended	
Dimensions			
Stripped Length		6.0 mm	
Materials			
Clamp	Brass		
Screw	Steel		
Contact Tag	Copper Alloy		

Colours

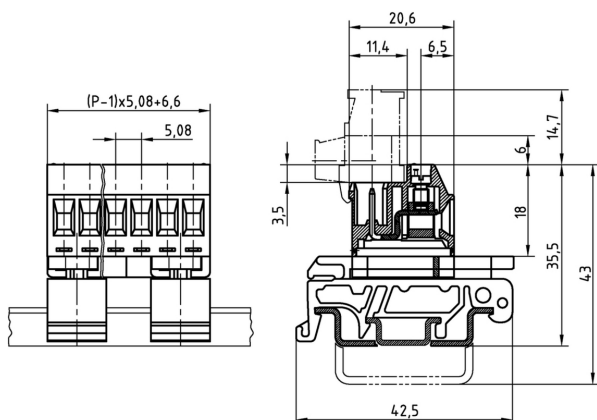
	GREEN, RAL6018
	LIGHT GREEN, similar RAL 6018

Colours according to RAL, there may be variations on colour due to production conditions.
Special colours on request.

Counterparts (Spacing 5.08 mm)

Pin Strip/Terminal Blocks			
AKZ1200	AKZ4951	AKZ950	AKZ1110

If there are combinations with different ratings, the lower value is valid.



Order Data (Spacing 5.08 mm)

Poles	Width (mm)	Article Designation	Article Number	PU
2	11.68	AKZS950/2G-5.08-GREEN	50950027021E	100
3	16.76	AKZS950/3G-5.08-GREEN	50950037021E	100
4	21.84	AKZS950/4G-5.08-GREEN	50950047021E	100
5	26.92	AKZS950/5G-5.08-GREEN	50950057021E	100
6	32.00	AKZS950/6G-5.08-GREEN	50950067021D	50
7	37.08	AKZS950/7G-5.08-GREEN	50950077021D	50
8	42.16	AKZS950/8G-5.08-GREEN	50950087021D	50
9	47.24	AKZS950/9G-5.08-GREEN	50950097021D	50
10	52.32	AKZS950/10G-5.08-GREEN	50950107021D	50
11	57.40	AKZS950/11G-5.08-GREEN	50950117021D	50
12	62.48	AKZS950/12G-5.08-GREEN	50950127021D	50
13	67.56	AKZS950/13G-5.08-GREEN	50950137021D	50
14	72.64	AKZS950/14G-5.08-GREEN	50950147021D	50
15	77.72	AKZS950/15G-5.08-GREEN	50950157021D	50
16	82.80	AKZS950/16G-5.08-GREEN	50950167021D	50
17	87.88	AKZS950/17G-5.08-GREEN	50950177021D	50
18	92.96	AKZS950/18G-5.08-GREEN	50950187021D	50

Accessories

Figure	Designation	Article Number
	Bridge, 2-pole, insulated, BRI/2-5.0/5.08-LIGHT GREY	50000000006
	Bridge, 3-pole, insulated, BRI/3-5.0/5.08-LIGHT GREY	50000000007
	Bridge, 2-pole, BR/2-5.0/5.08-L7.0	50000000008
	Coding star CS2-5.0/5.08-RED	50000000024
	Dividing element SE-STL950-GREEN	50950000002
	Mounting rail clip CLP-AKZS950-TS15/TS35	50950000005
	Mounting rail clip CLP-AKZS950-TS32/TS35	50950000006

Ratings



Usegroup	B	C	D			
Rated Voltage	300 V	150 V	300 V	250 V		
Rated Current	15 A	15 A	10 A	12 A		
Overvoltage Category				III		
Rated Wire Size			min		max	
	solid	AWG 28-12	AWG 28-12	AWG 28-12	0.5 mm ² (5 A)	2.5 mm ² (12 A)
	stranded	AWG 28-12	AWG 28-12	AWG 28-12	0.5 mm ² (5 A)	2.5 mm ² (12 A)
Torque	0.45 Nm		0.45 Nm	0.45 Nm		
Screw Size	M3		M3	M3		
Test Voltage	1.6 kV		1.6 kV	1.6 kV		
Pollution Degree				3		