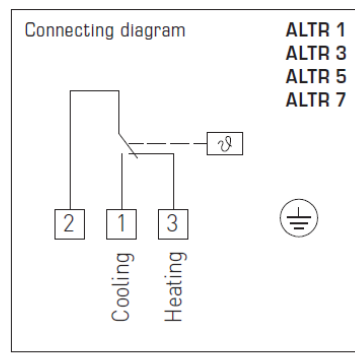


Mechanical temperature controllers/contact thermostats THERMASREG® ALTR with switching output (two-position controller) for monitoring, controlling and limitation of temperatures at pipes or vessels, e.g. in connection with hot-water or floor heating systems. The contact temperature controller ALTR is built as one-step device, as adjustable temperature controller TR (with external setting) or as adjustable temperature monitor TW (with internal setting).

TECHNICAL DATA	
Switching capacity: (Contact load)	24 ... 250V AC + 10%, 16A, cos φ = 1.0 24 ... 250V AC + 10%, 1.5A, cos φ = 0.6 at 24V AC min. 150 mA
Contact:	dust-proof switch block unit as potential-free single-pole changeover contact
Enclosure:	plastic, material polyamide, 30% glass-globe-reinforced, colour traffic white (similar to RAL 9016)
Enclosure dimensions:	108 x 70 x 73.5 mm (Thor2)
Cable gland:	M20 x 1.5; including strain relief
Enclosure temperature:	-35...+65 °C
Tolerance:	T _{min} ± 5K; T _{max} ± 5K
Design principle:	torsion meter with liquid filling
Process connection:	endless strap in metal tightener (Included in the scope of delivery)
Strap dimensions:	∅ = 13 - 92 mm (¼ - 3"), L = 300 mm
Electrical connection:	0.14 - 2.5 mm ² via terminal screws
Protection class:	I (according to EN 60730)
Protection type:	IP 65 (according to EN 60529)
Standards:	CE conformity, EMC directive 2014/30/EU, low-voltage directive 2014/35/EU
FUNCTION	<p>Heating: The preset setpoint (scale value) is equivalent to the switch-off value of the heating. The switch-on value is lower by the amount of operating difference. Contact 2-3 breaks when temperature rises to the preset value.</p> <p>Cooling: The preset setpoint (scale value) is equivalent to the switch-on value of the cooling. The switch-off value is lower by the amount of operating difference. Contact 1-2 closes when temperature rises to the preset value.</p>



THERMASREG® ALTR 1 / 3 / 5 / 7 – Surface contact temperature controllers				
Type/WG01	Temperature Range	Thermal Operating Difference (fixed) approx.	Max. Capillary Temperature	Item No.
ALTR 1/3/5/7				TR (External setting)
ALTR-1	-35... +35 °C	5K (± 1K)	+60 °C	1102-1030-1100-100
ALTR-3	0... +60 °C	5K (± 1K)	+75 °C	1102-1030-1100-300
ALTR-5	0... +90 °C	5K (± 1K)	+120 °C	1102-1030-1100-400
ALTR-7	0...+120 °C	5K (± 1K)	+130 °C	1102-1030-1100-500
Extra charge:	U = Internal setting (TW), e.g. ALTR-1 U			