



Alcoswitch | Alcoswitch AVH22

TE Internal #: 2-2364689-7

Push Button Switches, Single Pole - Double Throw Configuration (Pole-Throw), Anti-Vandal, 1 Actuator, Flush Actuator Profile, Alcoswitch AVH22

[View on TE.com >](#)

Relays, Contactors & Switches > Switches > Push Button Switches



Configuration (Pole-Throw): **Single Pole - Double Throw**

Push Button Switch Product Type: **Anti-Vandal**

Number of Actuators: **1**

Actuator Profile: **Flush**

Bushing Style: **Threaded**

## Features

### Product Type Features

|                                 |             |
|---------------------------------|-------------|
| Switch Type                     | Pushbutton  |
| Dust Proof                      | Yes         |
| Push Button Switch Product Type | Anti-Vandal |
| Illuminated                     | Yes         |
| Actuator Style                  | Flush       |

### Configuration Features

|                            |                            |
|----------------------------|----------------------------|
| ESD Grounding Terminal     | Without                    |
| Detent Style               | Audible                    |
| Ganged                     | No                         |
| Panel Cutout Size          | 22.2 mm[.87 in]            |
| Configuration (Pole-Throw) | Single Pole - Double Throw |
| Number of Actuators        | 1                          |
| Snap Action                | Without                    |
| Support Bracket            | Without                    |



|         |     |
|---------|-----|
| Tactile | Yes |
|---------|-----|

|                    |           |
|--------------------|-----------|
| Operating Function | Momentary |
|--------------------|-----------|

### Electrical Characteristics

|                                   |         |
|-----------------------------------|---------|
| Push Button Switch Voltage Rating | 250 VAC |
|-----------------------------------|---------|

### Body Features

|           |               |
|-----------|---------------|
| Seal Type | Rubber O-Ring |
|-----------|---------------|

|                |                          |
|----------------|--------------------------|
| Actuator Force | 205 – 510 g[7.2 – 18 oz] |
|----------------|--------------------------|

|               |                 |
|---------------|-----------------|
| Case Material | Stainless Steel |
|---------------|-----------------|

|                   |       |
|-------------------|-------|
| Actuator Material | Steel |
|-------------------|-------|

|                  |       |
|------------------|-------|
| Actuator Profile | Flush |
|------------------|-------|

|               |          |
|---------------|----------|
| Bushing Style | Threaded |
|---------------|----------|

|                     |         |
|---------------------|---------|
| Bushing Thread Size | M22 x 1 |
|---------------------|---------|

|                |        |
|----------------|--------|
| Actuator Color | Silver |
|----------------|--------|

### Contact Features

|                 |             |
|-----------------|-------------|
| Type of Contact | 1 NO & 1 NC |
|-----------------|-------------|

|                       |              |
|-----------------------|--------------|
| Contact Base Material | Copper Alloy |
|-----------------------|--------------|

|   |      |
|---|------|
| Push Button Switch Contact Current Rating | 26 A |
|---|------|

|                                 |        |
|---------------------------------|--------|
| Switch Contact Plating Material | Silver |
|---------------------------------|--------|

### Termination Features

|                  |           |
|------------------|-----------|
| Termination Type | Wire Lugs |
|------------------|-----------|

### Mechanical Attachment

|                   |          |
|-------------------|----------|
| Attachment Method | Screw-On |
|-------------------|----------|

|                |                      |
|----------------|----------------------|
| Mounting Angle | Vertical Right Angle |
|----------------|----------------------|

|                                  |       |
|----------------------------------|-------|
| Push Button Switch Mounting Type | Panel |
|----------------------------------|-------|

### Housing Features

|             |     |
|-------------|-----|
| Low Profile | Yes |
|-------------|-----|

|                |    |
|----------------|----|
| Process Sealed | No |
|----------------|----|

### Dimensions

|                  |               |
|------------------|---------------|
| Bushing Diameter | 22 mm[.87 in] |
|------------------|---------------|

|                |                 |
|----------------|-----------------|
| Bushing Length | 17.3 mm[.68 in] |
|----------------|-----------------|

|              |                 |
|--------------|-----------------|
| Cap Diameter | 17.75 mm[.7 in] |
|--------------|-----------------|

### Usage Conditions



|                    |          |
|--------------------|----------|
| Oil-Tight          | No       |
| Temperature Rating | Standard |

### Industry Standards

|           |      |
|-----------|------|
| IP Rating | IP67 |
|-----------|------|

### Packaging Features

|                  |             |
|------------------|-------------|
| Packaging Method | Loose Piece |
|------------------|-------------|

## Product Compliance

[For compliance documentation, visit the product page on TE.com>](#)

|   |  |
|---|--|
| EU RoHS Directive 2011/65/EU                  | Compliant with Exemptions  |
| EU ELV Directive 2000/53/EC                   | Not Yet Reviewed   |
| China RoHS 2 Directive MIIT Order No 32, 2016 | Restricted Materials Above Threshold   |
| EU REACH Regulation (EC) No. 1907/2006        | Current ECHA Candidate List: JAN 2023 (233)<br>Candidate List Declared Against: JUNE 2022 (224)<br>Does not contain REACH SVHC |
| Halogen Content                               | Low Halogen - Br, Cl, F, I < 900 ppm per homogenous material. Also BFR/CFR/PVC Free  |
| Solder Process Capability                     | Not reviewed for solder process capability   |

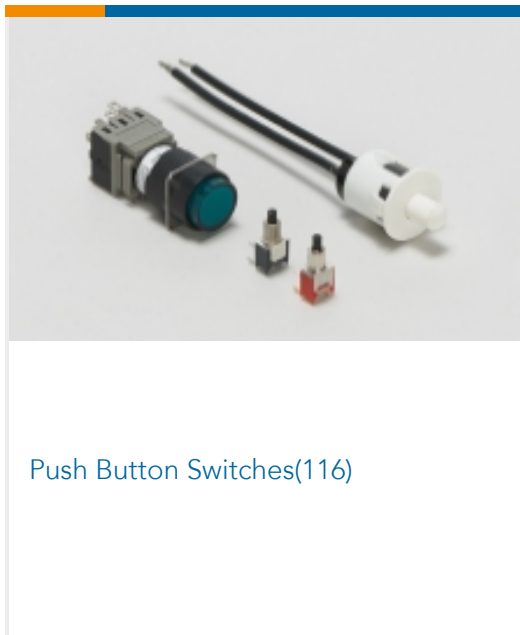
#### Product Compliance Disclaimer

This information is provided based on reasonable inquiry of our suppliers and represents our current actual knowledge based on the information they provided. This information is subject to change. The part numbers that TE has identified as EU RoHS compliant have a maximum concentration of 0.1% by weight in homogenous materials for lead, hexavalent chromium, mercury, PBB, PBDE, DBP, BBP, DEHP, DIBP, and 0.01% for cadmium, or qualify for an exemption to these limits as defined in the Annexes of Directive 2011/65/EU (RoHS2). Finished electrical and electronic equipment products will be CE marked as required by Directive 2011/65/EU. Components may not be CE marked. Additionally, the part numbers that TE has identified as EU ELV compliant have a maximum concentration of 0.1% by weight in homogenous materials for lead, hexavalent chromium, and mercury, and 0.01% for cadmium, or qualify for an exemption to these limits as defined in the Annexes of Directive 2000/53/EC (ELV). Regarding the REACH Regulation, the information TE provides on SVHC in articles for this part number is based on the latest European Chemicals Agency (ECHA) 'Guidance on requirements for substances in articles' posted at this URL: <https://echa.europa.eu/guidance-documents/guidance-on-reach>

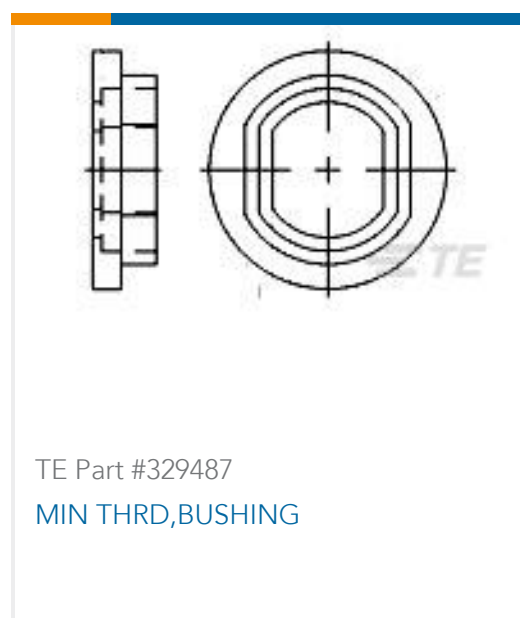
## Compatible Parts



### Also in the Series | Alcoswitch AVH22



### Customers Also Bought



### Documents

[CAD Files](#)

[3D PDF](#)

[3D](#)

[Customer View Model](#)

[ENG\\_CVM\\_CVM\\_2-2364689-7\\_A.2d\\_dxf.zip](#)

English



### Customer View Model

[ENG\\_CVM\\_CVM\\_2-2364689-7\\_A.3d\\_igs.zip](#)

English

### Customer View Model

[ENG\\_CVM\\_CVM\\_2-2364689-7\\_A.3d\\_stp.zip](#)

English

By downloading the CAD file I accept and agree to the [Terms and Conditions](#) of use.

### Datasheets & Catalog Pages

[AVH Series -Anti-Vandal High Current Pushbutton Switches](#)

English