

THIS DRAWING IS UNPUBLISHED.

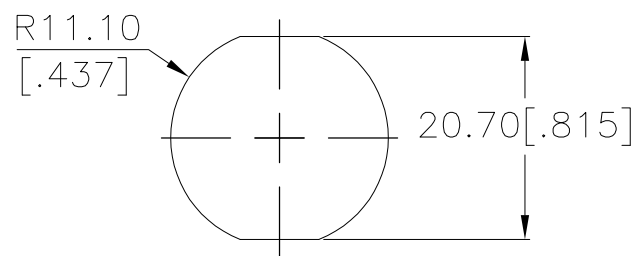
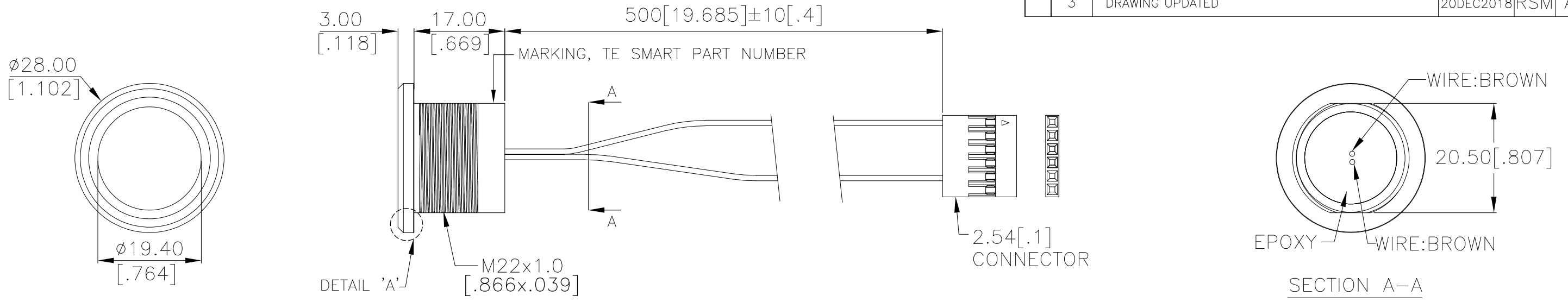
RELEASED FOR PUBLICATION

REVISIONS

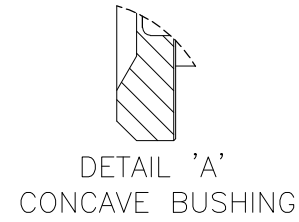
© COPYRIGHT - TE Connectivity Ltd.

ALL RIGHTS RESERVED.

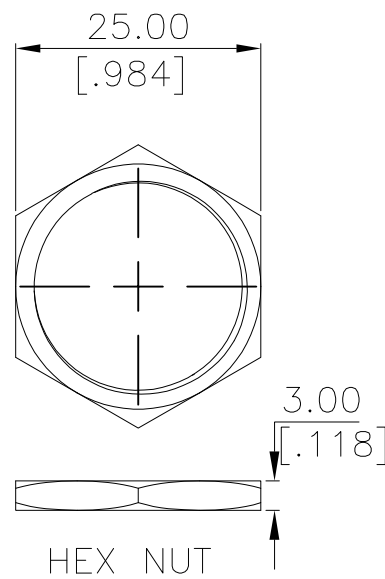
P	LTR	DESCRIPTION	DATE	DWN	APVD
	3	DRAWING UPDATED	20DEC2018	RSM	AS



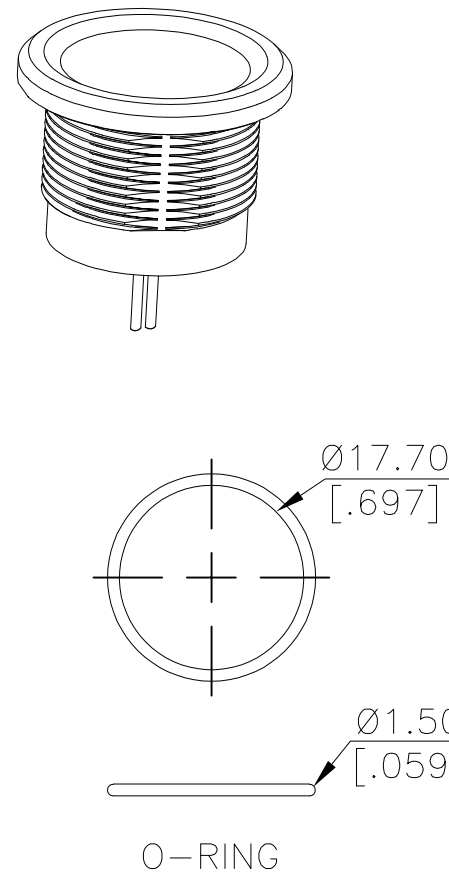
PANEL CUTOUT
PANEL THICKNESS: 10 [.394] MAX



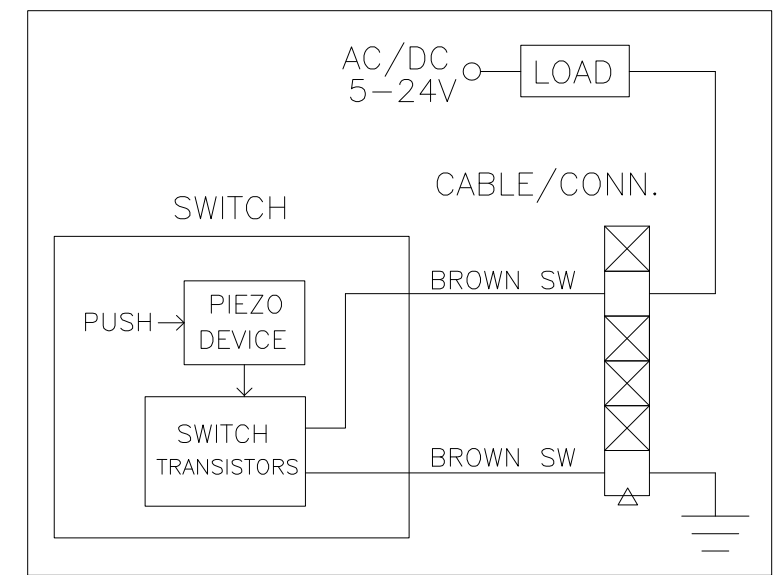
DETAIL 'A'
CONCAVE BUSHING



HEX NUT



O-RING



APPLICATION DIAGRAM

PRELIMINARY

THIS DRAWING IS A CONTROLLED DOCUMENT.		DWN GANESH C M 29SEP2018	TE Connectivity Ltd.															
DIMENSIONS: mm [INCHES]		CHK ALEXANDER SHARPE 29SEP2018																
TOLERANCES UNLESS OTHERWISE SPECIFIED:		APVD ALEXANDER SHARPE 29SEP2018	NAME SWITCH,AV,PIEZO,22mm,CONCAVE BTN, NO LED,LEADED W/ 1x6 REC															
<table border="1"> <tr><td>0 PLC</td><td>± -</td></tr> <tr><td>1 PLC</td><td>± 0.4 [.016]</td></tr> <tr><td>2 PLC</td><td>± 0.25 [.010]</td></tr> <tr><td>3 PLC</td><td>± -</td></tr> <tr><td>4 PLC</td><td>± -</td></tr> <tr><td>ANGLES</td><td>± -</td></tr> </table>		0 PLC	± -	1 PLC	± 0.4 [.016]	2 PLC	± 0.25 [.010]	3 PLC	± -	4 PLC	± -	ANGLES	± -	PRODUCT SPEC -	SIZE A3	CAGE CODE 00779	DRAWING NO C-2342844	RESTRICTED TO -
0 PLC	± -																	
1 PLC	± 0.4 [.016]																	
2 PLC	± 0.25 [.010]																	
3 PLC	± -																	
4 PLC	± -																	
ANGLES	± -																	
MATERIAL -		FINISH -	CUSTOMER DRAWING		SCALE NTS	SHEET 1 OF 2	REV 3											

THIS DRAWING IS UNPUBLISHED. RELEASED FOR PUBLICATION
 © COPYRIGHT - TE Connectivity Ltd. ALL RIGHTS RESERVED.

REVISIONS					
P	LTR	DESCRIPTION	DATE	DWN	APVD
	-	SEE SHEET 1	-	-	-

NOTES:

1. SPECIFICATIONS:

1. OPERATING LIFE: 50 MILLION CYCLES MIN.
2. ACTUATION FORCE: 2 N - 5 N [0.45 LBF - 1.12 LBF]
3. RATING: 5-24 VDC@1A MAX., 5-24 VAC@1A MAX.
4. CONTACT RESISTANCE: 1Ω MAX.
5. TYPE: MOMENTARY PULSE, 200mS MIN.
6. OUTPUT MODE: TRANSISTOR
7. OPERATING TEMPERATURE: -20° TO 65°C [-4° TO 149°F]
8. STORAGE TEMPERATURE: -40° TO 85°C [-40° TO 185°F]
9. INGRESS PROTECTION: IP68, PANEL SIDE
10. MOUNTING TORQUE: 2.5Nm MAXIMUM

2. MATERIAL:

1. SEALING: SILICONE, EPOXY
2. O-RING: SILICONE
3. HEX NUT: NICKEL PLATED BRASS
4. WIRE: UL3385, UL10368 OR EQUIVALENT
5. BUSHING: SEE TABLE

3. PACKAGING:


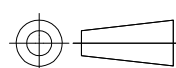
SWITCH ASSEMBLIES ARE INDIVIDUALLY BUNDLED WITH ESD PROTECTION.
 HARDWARE IS NOT ASSEMBLED TO THE SWITCH.

4. COMPLIANCE:

THE CURRENT STATEMENT OF COMPLIANCE IS AVAILABLE AT TE.COM.

5. HARDWARE IS SHIPPED UNASSEMBLED.

STAINLESS STEEL 316	NO LED	MOMENTARY	AVP22MS16C000T5A04	2342844-4
STAINLESS STEEL 304	NO LED	MOMENTARY	AVP22MS04C000T5A04	2342844-3
ALUMINUM, BLACK ANODIZED	NO LED	MOMENTARY	AVP22MAIBC000T5A04	2342844-2
ALUMINUM	NO LED	MOMENTARY	AVP22MAIOC000T5A04	2342844-1
BUSHING MATERIAL	LED COLOR	CONTACT CONFIGURATION	TE SMART PART NUMBER	PART NUMBER

THIS DRAWING IS A CONTROLLED DOCUMENT.		DWN GANESH C M 29SEP2018	 TE Connectivity Ltd.		
DIMENSIONS: mm [INCHES]		CHK ALEXANDER SHARPE 29SEP2018			
		APVD ALEXANDER SHARPE 29SEP2018	NAME SWITCH,AV,PIEZO,22mm,CONCAVE BTN, NO LED,LEADED W/ 1x6 REC		
TOLERANCES UNLESS OTHERWISE SPECIFIED:		PRODUCT SPEC	SIZE		
0 PLC ± -	1 PLC ± 0.4[.016]	APPLICATION SPEC	CAGE CODE	DRAWING NO	RESTRICTED TO
2 PLC ± 0.25[.010]	3 PLC ± -	WEIGHT	A3	00779	C=2342844
4 PLC ± -	ANGLES ± -	CUSTOMER DRAWING	SCALE	SHEET	REV
MATERIAL -	FINISH -		NTS	2 OF 2	3

PRELIMINARY