

Batten mount adapter

Qualified Bluetooth mesh DEXAL Module | Actuators



Product family features

- With/without Daylight and Occupancy Sensor DEXAL Module
- Qualified Bluetooth mesh enabled by Silvair
- Control of DEXAL drivers or DALI drivers with additional DALI bus power supply
- Intended for installation into a standard ½" knockout
- Works with OSRAM Hubsense
- Works with OSRAM DEXAL

Product family benefits

- Design freedom due to compact size
- Easy to integrate in luminaire
- Minimize internal wiring in combination with DEXAL drivers
- Secured product communication granted by ioXT and PSA Certificates

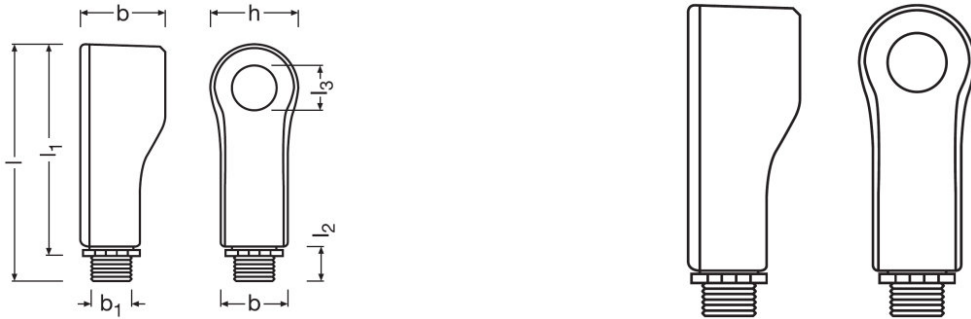
Areas of application

- Open offices
- Individual offices
- Conference rooms
- Classrooms
- Storage and break areas
- Stairways
- Toilets

Product datasheet

Technical data

Dimensions & weight



Length	119.3 mm
Product weight	44.00 g

Capabilities

Type of installation	Luminaire integration
----------------------	-----------------------

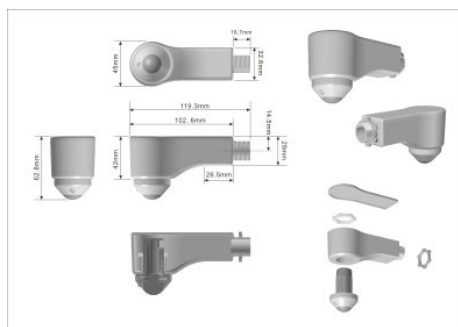
Logistical data

Commodity code	39269097900
----------------	-------------

Environmental information

Information according Art. 33 of EU Regulation (EC) 1907/2006 (REACH)	
Date of Declaration	21-07-2023
Primary Article Identifier	4062172271929
Candidate List Substance 1	Lead
CAS No. of substance 1	7439-92-1
Safe Use Instruction	The identification of the Candidate List substance is sufficient to allow safe use of the article.
Declaration No. in SCIP database	09df8a9e-9f6a-4bb2-b7bd-46dfceb31e6d

Product datasheet



Batten mount adapter

Additional product information

- By integrating the device into a casing the wireless range could be affected, in particular by metal surfaces. Therefore, the wireless range needs to be verified after integration.
- The device could be reset to factory default by placing a strong Neodym magnet (e.g. N35, d=6.35 mm x h=1.59 mm) near the corner of the bezel for 5 seconds.
- The status LED of the device indicates following Network status. Fast blinking (Blue): Not connected to a network, Slow blinking (Blue); Connected to a network, Blink twice (Blue): Mesh package received, Long blink (Blue) Factory reset, Blink one (Red): Motion detected
- The device has passed successfully the SILVAIR Testing process.
- The device can be put into operation using the OSRAM HubSense Commissioning Tool (<https://platform.hubsense.eu>), subject to prior acceptance of the Terms of Use and the Privacy Policy.
- OSRAM may terminate or suspend the use of the HubSense Commissioning Tool at any time and for any or no reason in its sole discretion, even if access and use is continued to be allowed to others.
- The device complies with Bluetooth mesh Standard v1.0. It can also be used in 3rd party Bluetooth mesh network, that complies with this standard and that supports the mesh models of this device, and with certain 3rd party commissioning tools, that support the mesh models of this device. In order to ensure correct interoperability a verification with the 3rd party network components and the 3rd party commissioning tool is necessary in advance. Please contact OSRAM (support@hubsense.eu) to receive the actual list of supported models for this device.
- OSRAM shall have no liability for any 3rd party commissioning tool and does not make any representations, express or implied, about the availability and/or performance of such commissioning tool.
- OSRAM shall have no liability for and does not make any representations, express or implied, about the connectivity of OSRAM QBM products with any other products, that have passed the SILVAIR Testing process.

Logistical Data

Product code	Product description	Packaging unit (Pieces/Unit)	Dimensions (length x width x height)	Volume	Gross weight
4062172271929	Batten mount adapter	Shipping carton box 50	400 mm x 295 mm x 285 mm	33.63 dm ³	3084.00 g

The mentioned product code describes the smallest quantity unit which can be ordered. One shipping unit can contain one or more single products. When placing an order, for the quantity please enter single or multiples of a shipping unit.

Product datasheet

Disclaimer

Subject to change without notice. Errors and omission excepted. Always make sure to use the most recent release.