

Single-phase, non stabilized DC power supply GNC 24-5



Picture shows GNC 24-10

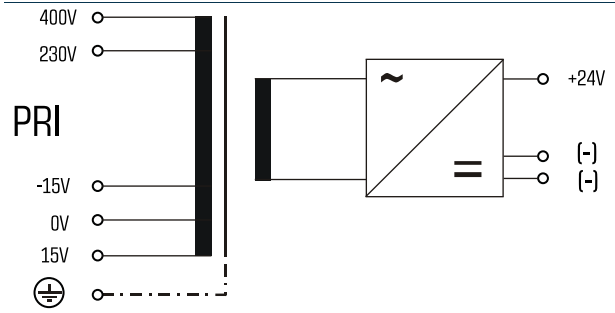
Advantages

Unsusceptible to voltage surges or transients
High overload capacity
DC OK signalling via LEDs
Capacitor switching at the output
Very good corrosion protection and low noise thanks to vacuum impregnation
Impulse loading MKT-capacitors
Varistor wiring
Contact protected screw connection terminals complying with UVV BGV A3
GNC 24-2,5 with combination footplate for bolted and rail mounting

Applications

Robust DC power supply for harsh industrial applications.

Sample application



Standards

Non-stabilised dc power supply / Safety isolating transformer to VDE 0570 part 2-6, EN 61558-2-6, IEC 61558-2-6, UL 1012

Approvals



UL 5085-1/-2, CSA 22.2 No.66



Single-phase, non stabilized DC power supply

GNC 24-5

Type		GNC 24-5
Electrical data	Input	
	Input rated voltage	230/400 Vac, ±15 Vac
	Rated frequency	50 - 60 Hz
	Output	
	Output rated voltage	24 Vdc
	Power	120.00 W
	Output rated current	5.00 A
	Ripple factor	3 %
	Approvals	
	Approvals	cURus (transformer only)
Environment		
Ambient temperature max.	60 °C	
Type of cooling	self-cooling	
Safety and protection		
Type	Open type	
Insulation class	VDE=B, UL=class 130	
Protection index	IP 00	
Safety class (prepared)	I	
Short circuit strength	non-short-circuit proof	
Order numbers		
Order Number		GNC 24-5

Type		GNC 24-5
Mechanical data	Terminal and mounting	
	Terminals	Screw-type terminals
	Fixing method	Base plate
	Fixing screws	M5
	Measures and weights	
	Weight	4.60 kg

