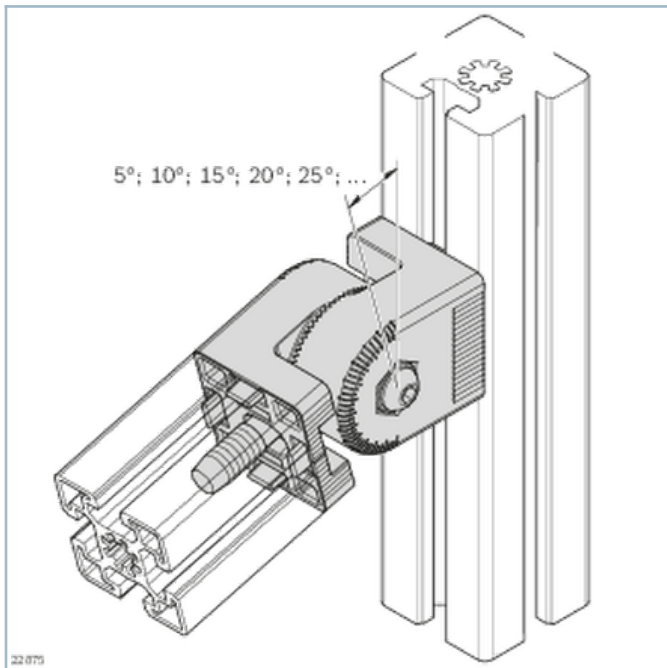
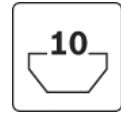


Joint 45x45 lockable



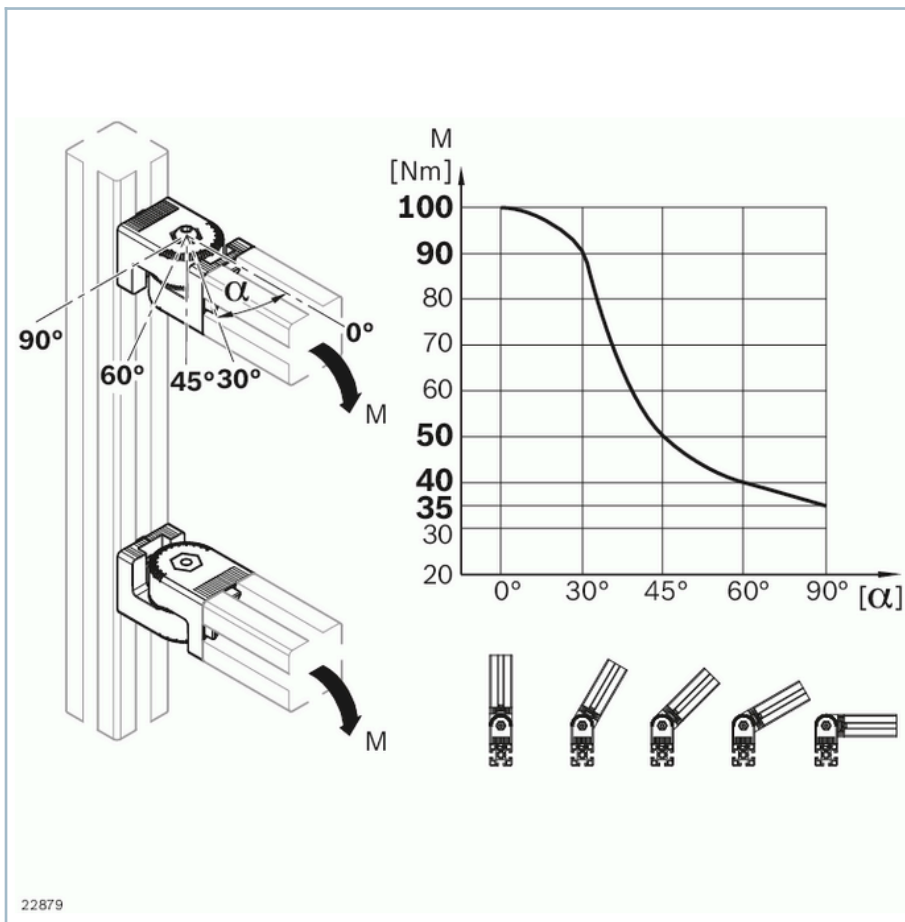
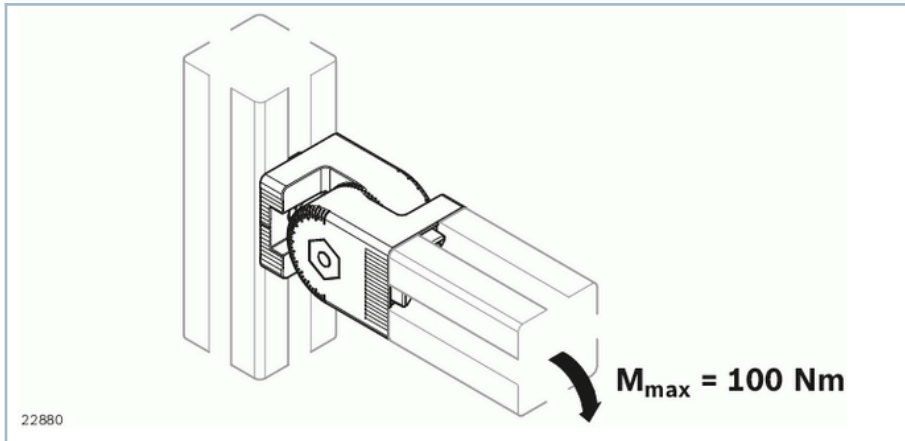
- For adjustable or rigid profile connections
- For high loads up to 100 Nm in the swivel direction
- Positive interlocking thanks to Hirth toothed coupling
- Swivel range 180°
- Easy adjustment in the 5° modular dimensions



HowTo Video

- Marking with a 5° graduation for easy detection of the adjustment angle
- Clamping and convenient adjustment of joint using a clamping lever or screw
- Profile finishing: Not required (self-cutting screw for end face to end face connection)
- Compatible with joint 45x45 and joint 45x45 support

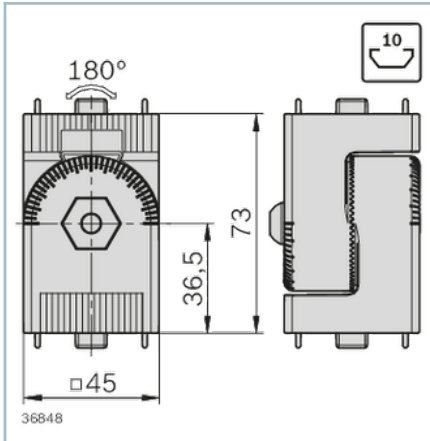
Technical data



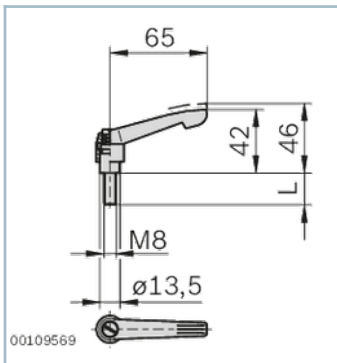
No.	Material
3842546564	Joint: diecast zinc Fastening material: Steel; zinc-plated
3842538607	Clamping lever: diecast zinc; black plastic coated Steel parts: galvanized, strength class 5.8

Dimensions

Joint 45x45 lockable



Clamping lever M8

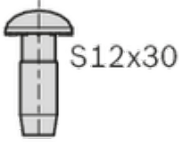
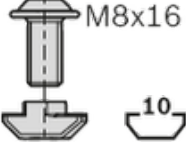


Accessories




- Clamping elements for adjustable connections

Delivery notes

FS1	FS2
 S12x30	 M8x16 10

Ordering codes

	Groove	L	ESD	FS	No.
		mm			
Joint 45x45 lockable	10			2xFS1, 2xFS2	3842546564
Clamping lever M8 L45		45			3842538607