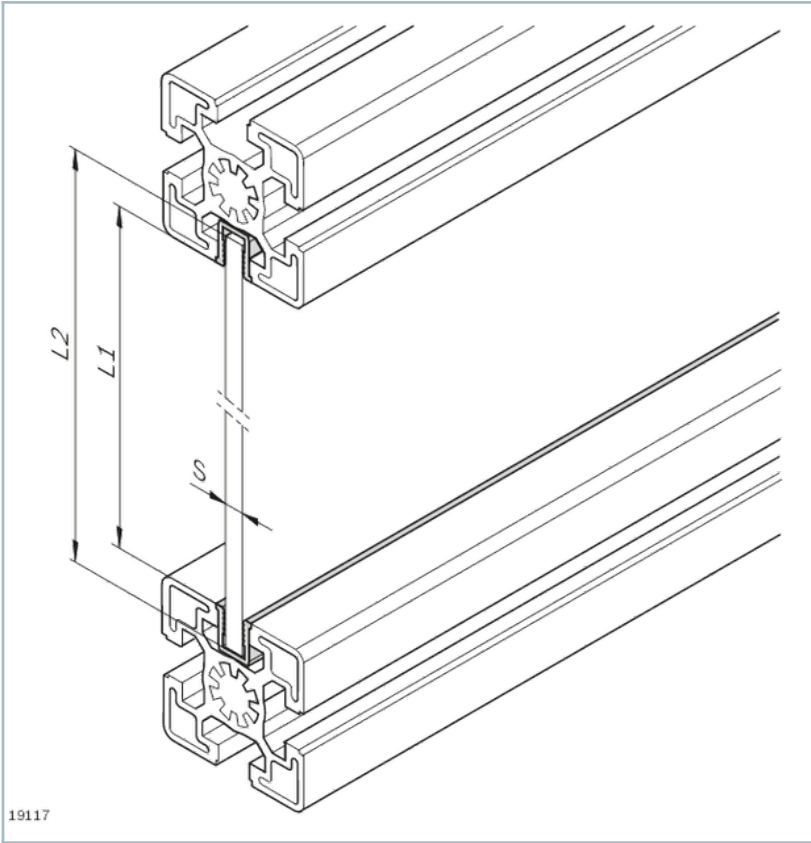


Mounting rim profile

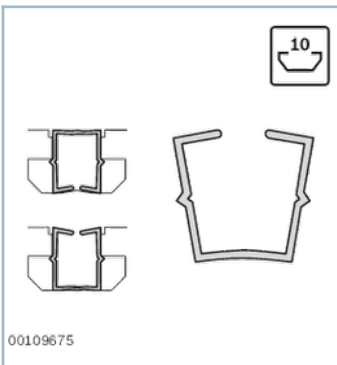
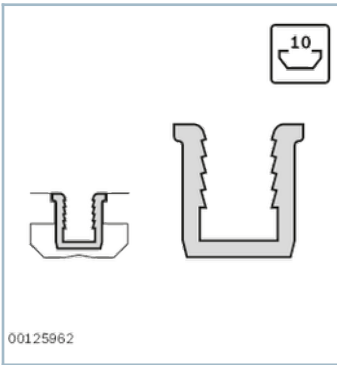


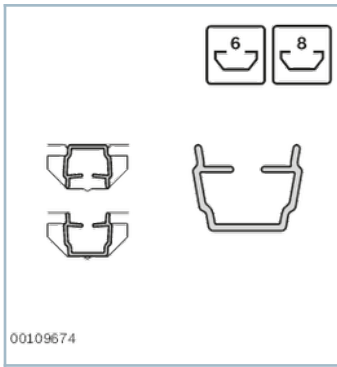
- For the play-free mounting of surface elements in the profile slot
- For surface elements up to 6 mm thick
- Installation during frame assembly
- Mounting rim profiles PP can also be used as cover profiles

Product description



Technical data

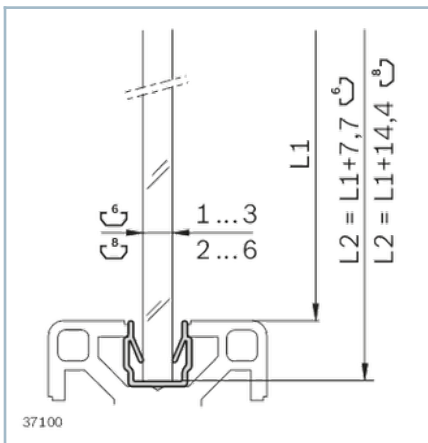




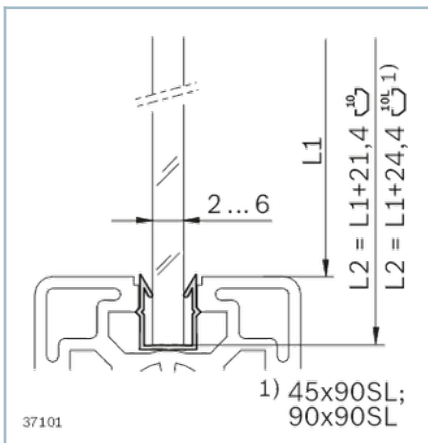
No.	Material
3842555272	PP; signal gray RAL 7004
3842555274	
3842555276	
3842555270	PE; signal gray RAL 7004

Dimensions

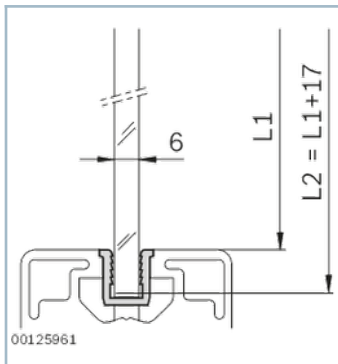
Mounting rim profile, PP slot 6, slot 8



Mounting rim profile PP, slot 10



Mounting rim profile PE, slot 10



Ordering codes

	Groove	s	L	No.
		mm	mm	
Mounting rim profile PP, N6	6	1 ... 3	2000	3842555272
Mounting rim profile PP, N8	8	2 ... 6	2000	3842555274
Mounting rim profile PP, N10	10	2 ... 6	2000	3842555276
Mounting rim profile PE, N10	10	6	2000	3842555270