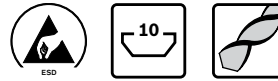




Wheel





- ▶ Versatile range of uses
- ▶ Wheels with excellent running properties
- ▶ Available as a caster wheel with lock, caster, and trestle wheel

 Especially gentle on floors

 Resistant to oil, for use in workshop areas

Clean Room Suitable for use in cleanrooms.
Conductive material version in accordance with DIN EN 61340-5-1; conduction resistance 10^3 to $10^8 \Omega$

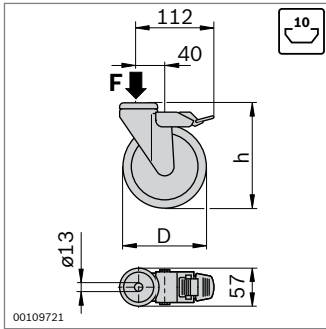
 Rubber running surface made of solid rubber with good deformation elasticity. No permanent flattening of the wheel due to it traveling over edges or not being moved for long periods

 Suitable for ESD-sensitive areas.
Conductive material version in accordance with DIN EN 61340-5-1; conduction resistance $\leq 10^6 \Omega$

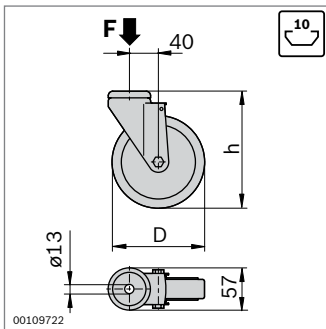
- ▶ Mounting of all wheel in the profile slot or central hole (accessories required)
- ▶ Profile finishing: thread cutting M12 in the case of assembly in central hole

Required accessories:

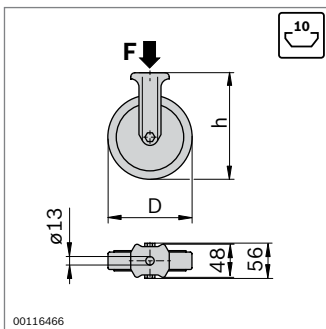
- ▶ Screw M12x40 (ISO 4762) for mounting in central hole (\cup 35 Nm)
- ▶ Bearing ring if cover cap with hole is used (p. 6-16)



FS1
 M12X30
 DIN 985 M12



FS1
 M12X30
 DIN 985 M12



FS1
 M12X30
 DIN 985 M12

► Steerable caster with lock: lock prevents the wheel from rolling or turning

Caster wheel with lock	F (N)	D (mm)	h (mm)	ESD	No.	FS
	900	80	108		3 842 541 226	FS1
	1100	125	158		3 842 541 228	FS1
	900	80	108		3 842 541 230	FS1
	1100	125	158		3 842 541 232	FS1
	1100	125	158		3 842 515 367	FS1
	1000	125	158		3 842 524 499	FS1
	600	80	108		3 842 547 836	FS1
	800	125	158		3 842 547 838	FS1

Caster wheel	F (N)	D (mm)	h (mm)	ESD	No.	FS
	900	80	108		3 842 541 234	FS1
	1100	125	158		3 842 541 236	FS1
	900	80	108		3 842 541 238	FS1
	1100	125	158		3 842 541 240	FS1
	1100	125	158		3 842 515 366	FS1
	1000	125	158		3 842 524 500	FS1
	600	80	108		3 842 547 835	FS1
	800	125	158		3 842 547 837	FS1

Trestle wheel	F (N)	D (mm)	h (mm)	ESD	No.	FS
	900	80	108		3 842 541 242	FS1
	1100	125	158		3 842 541 244	FS1
	600	80	108		3 842 547 839	FS1
	800	125	158		3 842 547 840	FS1

- Material:
- Thermoplastic rubber
 - Reinforced PA
 - Gray PU; housing: steel, chrome-plated
 - Solid rubber
 - Conductive, conduction resistance $\leq 10^6 \Omega$