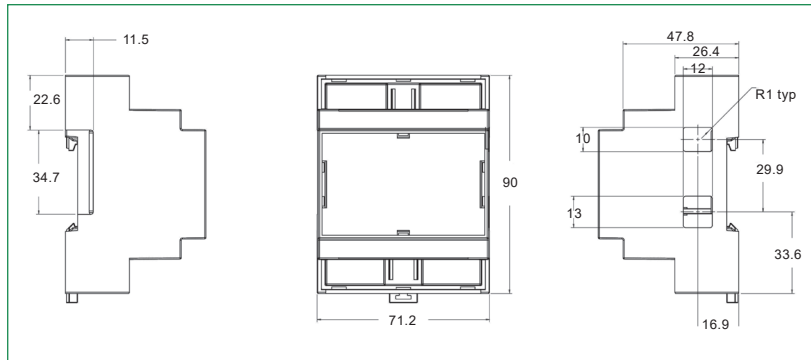
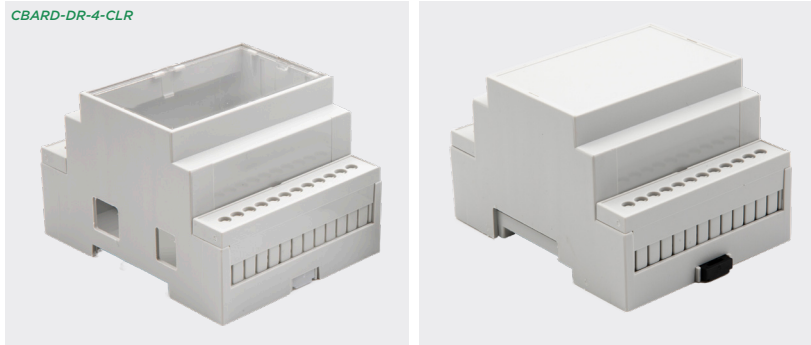


DIN Rail Arduino enclosures

Product overview

This DIN Rail mountable enclosure allows you to add your Arduino board without the need for screws or glue.

- Designed to house the Arduino Uno and Ethernet shield via clip-in grooves - **NO SCREWS REQUIRED!**
- All cut-outs are pre-cut into the case - **NO MODS REQUIRED!**
- DIN Rail or wall mountable
- Moulded in light grey UL94-V0 flame retardant polycarbonate
- Kit comes with snap in cover, two snap fit terminal guards
- Base fits 35mm DIN Rail or directly to flat surface
- Easily customised covers and terminal guards



PART NO.	MATERIALS	DESCRIPTION	DIMENSIONS
CBARD-DR-4-CLR	Thickness 3mm	Enclosure kit for Arduino Uno, clear lid	L 71.2mm x W 90mm x H 58mm
CBARD-DR-4-GRY	Thickness 3mm	Enclosure kit for Arduino Uno, solid lid	L 71.2mm x W 90mm x H 58mm
CBARDES-DR-4-CLR	Thickness 3mm	Enclosure kit for Arduino Uno and ethernet shield, clear lid	L 71.2mm x W 90mm x H 58mm
CBARDES-DR-4-GY	Thickness 3mm	Enclosure kit for Arduino Uno and ethernet shield, solid lid	L 71.2mm x W 90mm x H 58mm

KEY FEATURES

High quality polycarbonate | DIN Rail mountable | No mods required

