

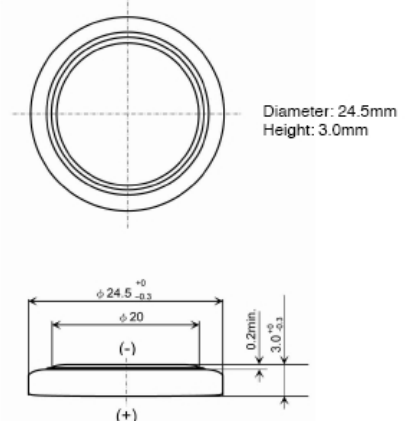
Description : Flat Lithium Battery
Chemical system : Lithium Manganese Dioxide
Nominal voltage : 3 Volts
Nominal capacity : 300mAh@6.8kΩ to 2.5V
Dimensions : ø24.5 x 3.0mm

Average weight : 4 grams
Application : Watch, calculator, camera and memory back up

Cross References:

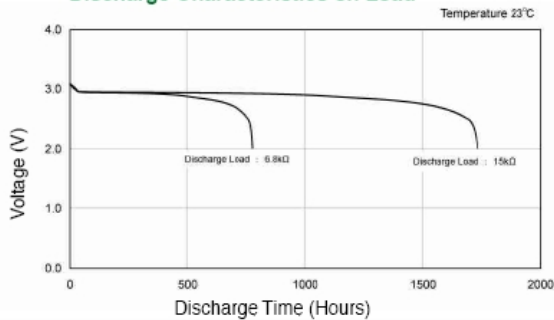
IEC	JIS	Eveready	Varta	Duracell
CR2430	CR2430	ECR2430	CR2430	DL2430

Model No.: **CR2430**

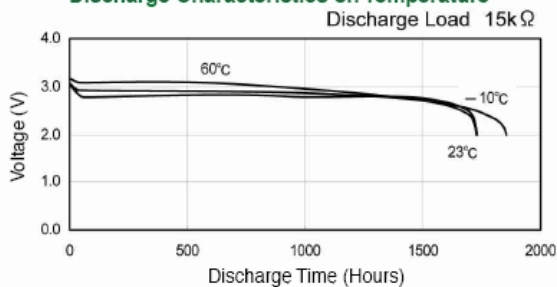


Dimension Drawing

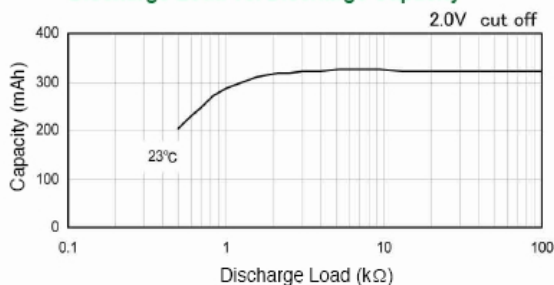
Discharge Characteristics on Load



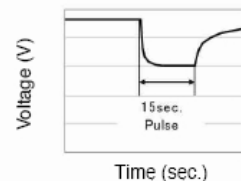
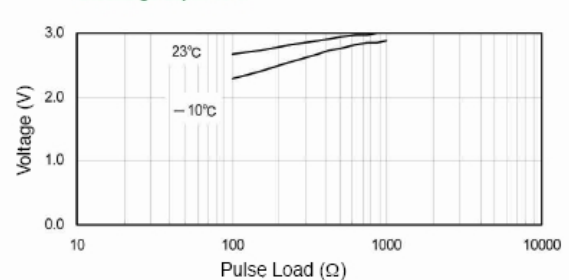
Discharge Characteristics on Temperature



Discharge Load vs. Discharge Capacity



Discharge Characteristics on Pulse Load



The information (subject to change without prior notice) contained in this document is for reference only and should not be used as a basis for product guarantee or warranty. For applications other than those described here, please consult your nearest GP Sales and Marketing Office or Distributors.