


CAMBLOCK PLUS

5.08mm Inverted/Reverse Terminal Blocks

- Horizontal & vertical orientations
- Polarized moldings
- Dual low pins for extra stability
- Also available in 5mm pitch
- Also match able with CTBP9308 and 358 headers
- Molded in green UL94-V0 flame retardant PA66
- 1.5mm² (28-14AWG)
-  approved

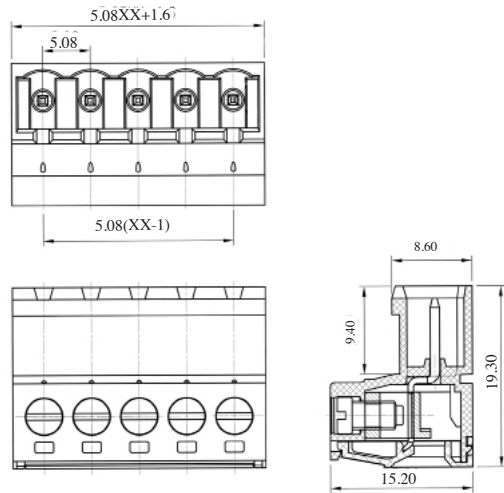
SPECIFICATION

Rating	UL=15A/300V
Insulation resistance	500MΩ/500V
Withstand Voltage	AC2000V/1min
Contact Resistance	20mΩ (max)
Working Temperature	-40°C to 105+°C
Mouldings	UL94-V0 Flame retardant PA66
Pin/Terminal	Brass, Tin plated
Rising Clamp	Brass, nickel plated
Screw/Torque	M3 Steel, zinc plated 0.5Nm
Recommended PCB hole size	ø1.4mm

Male Connector

TYPE NO.	POLES	LENGTH
CTBP96HJ/2	2	11.8mm
CTBP96HJ/3	3	16.8mm
CTBP96HJ/4	4	21.9mm
CTBP96HJ/5	5	27.0mm
CTBP96HJ/6	6	32.1mm
CTBP96HJ/7	7	37.2mm
CTBP96HJ/8	8	42.2mm
CTBP96HJ/9	9	47.3mm
CTBP96HJ/10	10	52.4mm
CTBP96HJ/11	11	57.5mm
CTBP96HJ/12	12	62.6mm

CTBP96HJ



Male Connector, Flanged

TYPE NO.	POLES	LENGTH A	LENGTH B
CTBP96HJ/2FL	2	1.8mm	20.3mm
CTBP96HJ/3FL	3	16.8mm	25.4mm
CTBP96HJ/4FL	4	21.9mm	30.5mm
CTBP96HJ/5FL	5	27.0mm	35.6mm
CTBP96HJ/6FL	6	32.1mm	40.7mm
CTBP96HJ/7FL	7	37.2mm	45.7mm
CTBP96HJ/8FL	8	42.2mm	50.8mm
CTBP96HJ/9FL	9	47.3mm	55.9mm
CTBP96HJ/10FL	10	52.4mm	61.0mm
CTBP96HJ/11FL	11	57.5mm	66.1mm
CTBP96HJ/12FL	12	62.6mm	71.1mm

CTBP96HJ/FL

