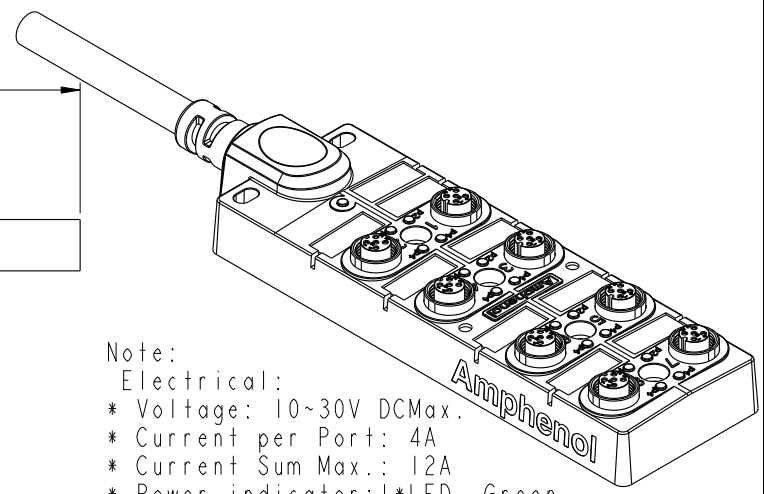
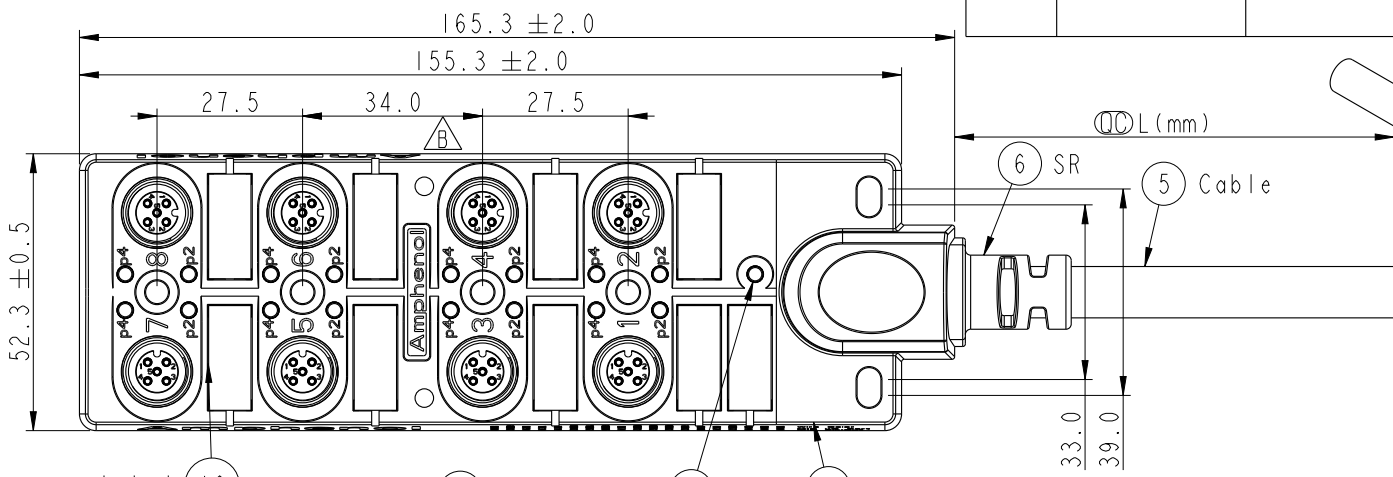


THIS DOCUMENT IS SUBJECT TO CHANGE WITHOUT NOTICE. IT IS CONFIDENTIAL AND A PROPERTY OF Amphenol LTW. DISCLOSURE TO THIRD PARTY HAS TO BE AUTHORIZED BY Amphenol LTW.

REV.	ECN NO.	DATE	SIGN	DESCRIPTION
B	C231254	2023-09-25	Wenxiang	$\triangle B$ X2
C	C240035	2024-01-10	Wenxiang	$\triangle C$ X1



Note:

Electrical:

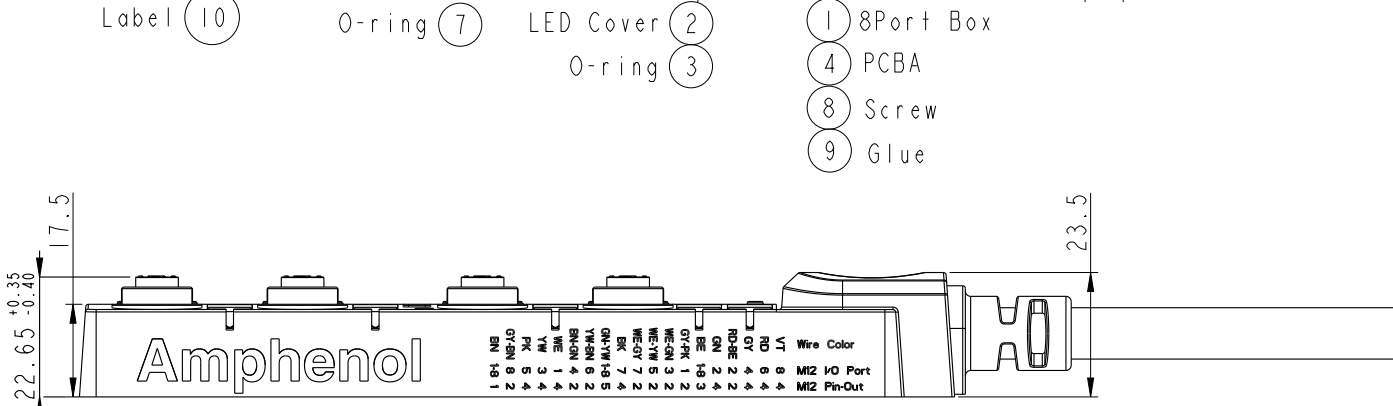
- \* Voltage: 10~30V DCMax.
- \* Current per Port: 4A
- \* Current Sum Max.: 12A
- \* Power indicator: 1\*LED, Green
- \* Function Indicator: 16 \* LED Yellow
- \* Sensor Connections: M12\*1, 5-pole Female
- \* Switching Output: PNP

Mechanical:

- \* Connector Housing Material: PA66, Nylon+GF
- \* Box Material: PBT+PC
- \* Contact Material: Copper Alloy
- \* Contact Finish: Gold plated
- \* No. of Ports: 8
- \* Style: M12\*1
- \* Mounting type: 4 \* M4
- \* Cable: UL20549, 16C\*0.34mm<sup>2</sup>+3C\*1.0mm<sup>2</sup>, PUR Jacket, OD=10.5, Black.
- \* Cable Length Tolerance: 01M: ±40mm  
02~05M: ±60mm  
06~10M: ±100mm  
11~30M: ±200mm  
31~99M: ±500mm

Environmental:

- \* Operating Temperature : -20°C~+80°C
- \* Waterproof Rate: IP67 (Unmated)
- \* Oil Resistant

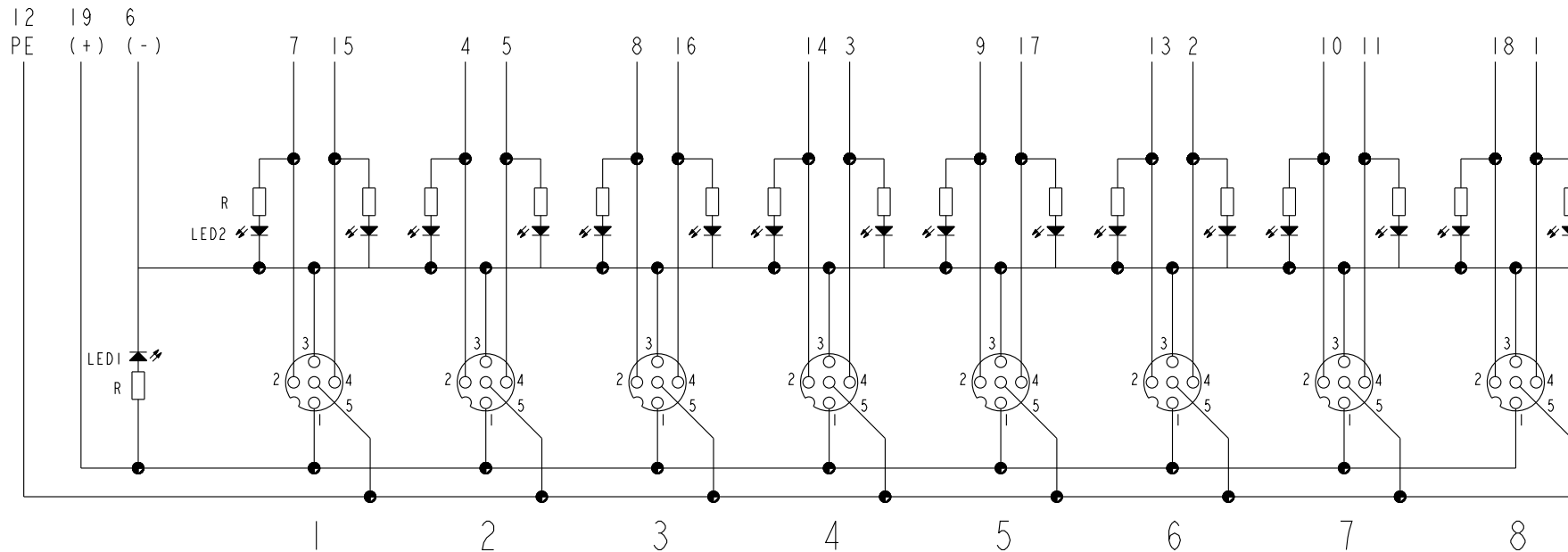


DB12-5A8CAB-DPS7BXX  
 XX: 01~99Meters  
 01: 01Meter  
 05: 05Meter  
 10: 10Meter  
 15: 15Meter  
 20: 20Meter  
 30: 30Meter  
 Cable Length(L): 01~99Meters

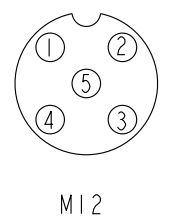
UNIT: mm  TOLERANCE .X ±0.25 .XX ±0.1 .XXX ±0.05 ANGLES ±1°	TITLE M12 Distribution Box 8Port, Cable		<b>Amphenol LTW</b> 安費諾亮泰企業股份有限公司		ITEM NO DB12-5A8CAB-DPS7BXX	DRAWN BY Wenxiang Li	DATE 2024-01-10
	SCALE 7:10	SIZE A4			SHEET 1 OF 2	DWG NO DB12-5A8CAB-DPS7BXX	CHECKED BY Xiaofeng Fan
	REV. C	WC-REV. A.5	Inspection item	CUSTOMER ALTW	APPROVED BY Jerry	DATE 2024-01-10	8 W10814-03-001A2

THIS DOCUMENT IS SUBJECT TO CHANGE WITHOUT NOTICE. IT IS CONFIDENTIAL AND A PROPERTY OF Amphenol LTW. DISCLOSURE TO THIRD PARTY HAS TO BE AUTHORIZED BY Amphenol LTW.

# Schematic Diagram



**M12 I/O Ports**



I/O Ports  
 Pin1: +V  
 Pin2: NC  
 Pin3: -V  
 Pin4: NO  
 Pin5: PE

Parts  
 LED1: Green  
 LED2: Yellow  
 R: Resistor

18	8	2	Gray/Brown
17	5	4	Pink
16	3	4	Yellow
15	1	4	White
14	4	2	Brown/Green
13	6	2	Yellow/Brown
11	7	4	Black
10	7	2	White/Gray
9	5	2	White/Yellow
8	3	2	White/Green
7	1	2	Gray/Pink
5	2	4	Green
4	2	2	Red/Blue
3	4	4	Gray
2	6	4	Red
1	8	4	Violet
19(+V)	1-8	1	Brown
6(-V)	1-8	3	Blue
12(PE)	1-8	5	Green/yellow
Wire	Port	M12 Pin	Wire Color

UNIT:mm 	TITLE M12 Distribution Box 8Port, Cable		安費諾亮泰企業股份有限公司	ITEM NO	DRAWN BY Wenxiang Li	DATE 2024-01-10
	TOLERANCE .X ±0.25 .XX ±0.1 .XXX ±0.05 ANGLES ±1°	SCALE 1:1		SIZE A4	SHEET 2 OF 2	DWG NO DB12-5A8CAB-DPS7BXX
	REV. C	WC-REV. A.5	Inspection item	CUSTOMER ALTW	APPROVED BY Jerry	DATE 2024-01-10