

För icke direkt toleranssatta mått gäller toleransklass
General tolerances if not otherwise stated

| NOM DIM MM | | TOL CLASS | | |
|------------|------|-----------|------|------|
| From | To | A | B | C |
| (1) | 6 | ±0.05 | ±0.1 | ±0.2 |
| (6) | 30 | ±0.1 | ±0.2 | ±0.5 |
| (30) | 100 | ±0.15 | ±0.3 | ±0.8 |
| (100) | 300 | ±0.2 | ±0.5 | ±1.2 |
| (300) | 1000 | ±0.3 | ±0.8 | ±2 |

Hål / Holes H13

Skarpa kanter brutna där ej annat anges.
No sharp edges unless otherwise specified.

Övriga generella toleranser enligt ritning 4100-4644.
Additional general tolerances in accordance with drawing 4100-4644.

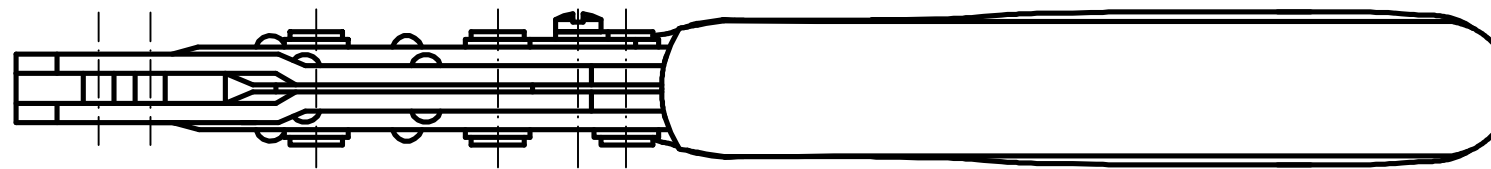
LASERMÄRKNING/LASER MARKING:

TEXTFONT: GEN-ISO

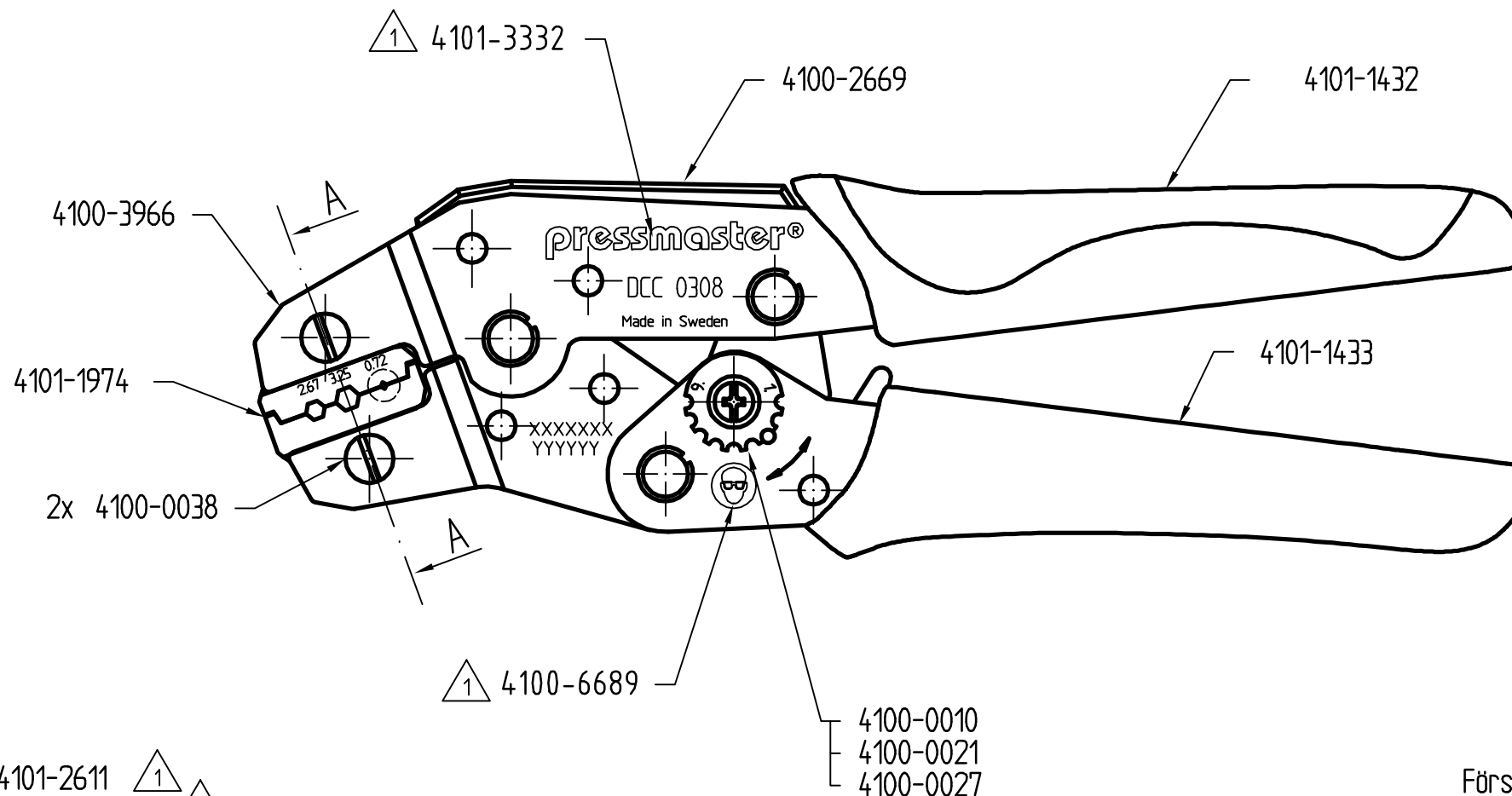
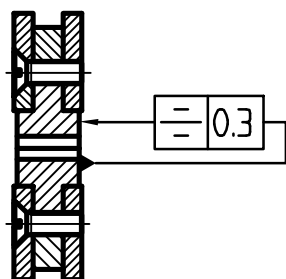
Datumkod / Date code "YYYYYY"

Serienummer / Serial number "XXXXXXX"

| Rev | Change order | Change: A = Added W = Was D = Deleted | Date | Sign |
|-----|--------------|---|--------|------|
| 1 | 1017308000 | D 4101-0068 4101-1970 4101-1971 A 4101-2611 4101-2615 4101-2724M A 4100-6689 4101-3332 TEXT | 031010 | SE |



A - A



4101-2611
4101-2615
4100-3776
4101-2724M POSITION A

Förspänning / Preload: 150 ± 30 N

| Tolkmått / Gauge dimensions (mm) | | |
|----------------------------------|---------------|--------------------|
| Urtag Nest | Gåttolk GO | Stopptolk NO GO |
| Hex 2.67 | ∅2.62 | ∅2.72 |
| Hex 3.25 | ∅3.20 | ∅3.30 |
| Sqr 0.72 | ∅0.70 | ∅0.74 |

Packas enligt förpackningsritning 4101-2728
Packed according to drawing 4101-2728

| Material | | Behandling/Treatment | | | Status | |
|-----------------------|--------------------|------------------------|--------------------|--|----------------|-------------------|
| | | | | | Prel.utc. | |
| Konstr./Design TGW | Ritad/Drawn TGW | Datum/Date 01-12-04 | Skala/Scale 1:1 | Kontr./Checked | Godk./Approved | Ämne/Blank |
| pressmaster ® | | | | Benämning/Denomination Krimptång DCC-0308 | | Vikt/Weight, gram |
| REG NR FM13687 | | | | CRIMPING TOOL | | Art grp 012 |
| | | | | Ritn nr/Drawing no 43002862 | | REV 001 |

Denna ritning är Pressmaster AB:s egendom. Skyddad av gällande lag.
This drawing is the property of Pressmaster AB. Protected in accordance with prevailing law.