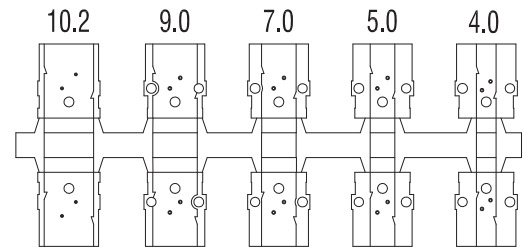
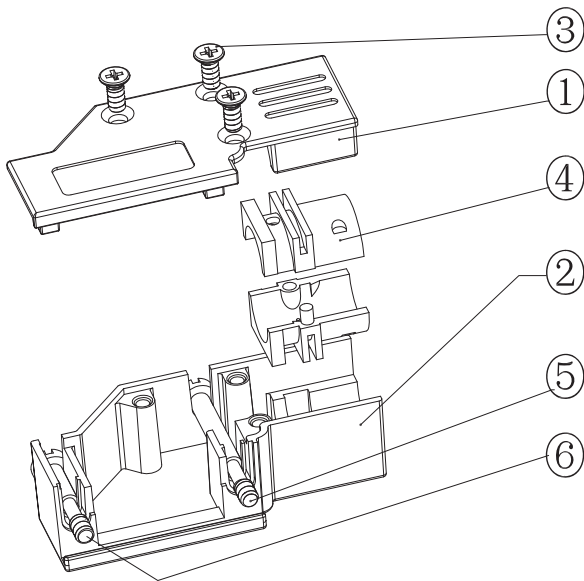
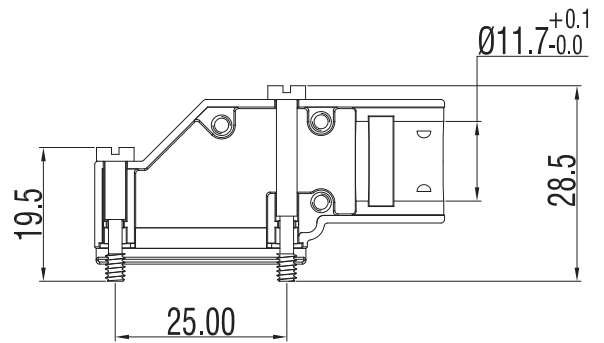
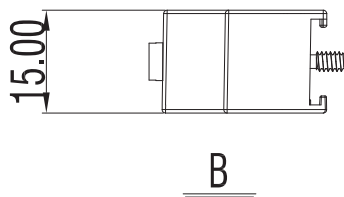
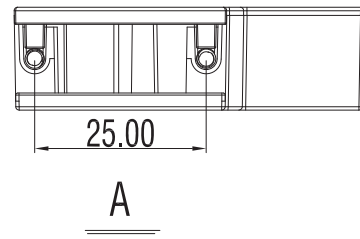
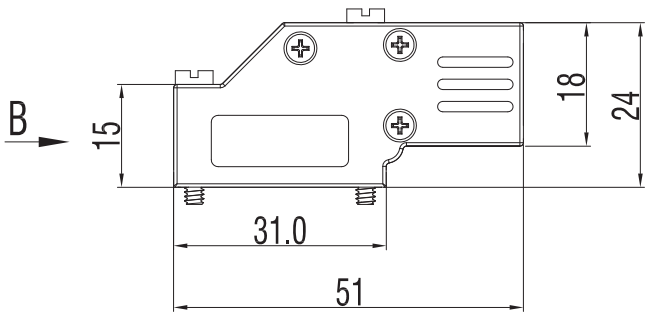


No.	Changes and/or Note No.	Date	Intr	No	Changes and/or Note No.	Date	Intr



Grommet Set

Part Number:	Description:	Pack:	Item	QTY	Part description
			1	1	DCMR09-Upper cover
6560-0501-01	DCMR09-FK-K	Kit	2	1	DCMR09-Lower cover
			3	3	M2.5X6 Screw
6561-0501-01	DCMR09-FK	Bulk	4	1	D45ZK-D2 Grommet set
			5	1	UNC 4-40X28.5 Jackscrew
			6	1	UNC 4-40X19.5 Jackscrew
DATE: 2011-04-29	DRAWN: MRR	SCALE:	MATERIAL TYPE:		GENERAL TOLERANCES UNLESS OTHERWISE STATED LINEAR 0 ±0.20 0.0 ±0.15 0.00 ±0.10 ANGULAR ±0°30' ALL DIMENSIONS IN mm THIRD ANGLE PROJECTION
AUDITING:	APPROVED:		REPLACES:		
		DCMR-SERIES		DRAWING No: 6688-9597	