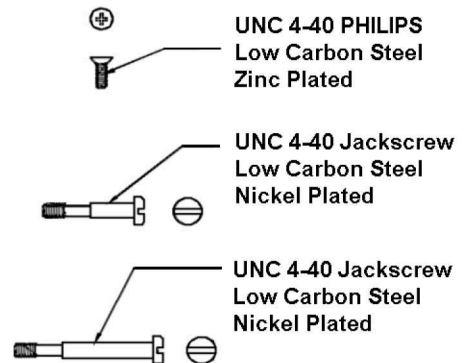
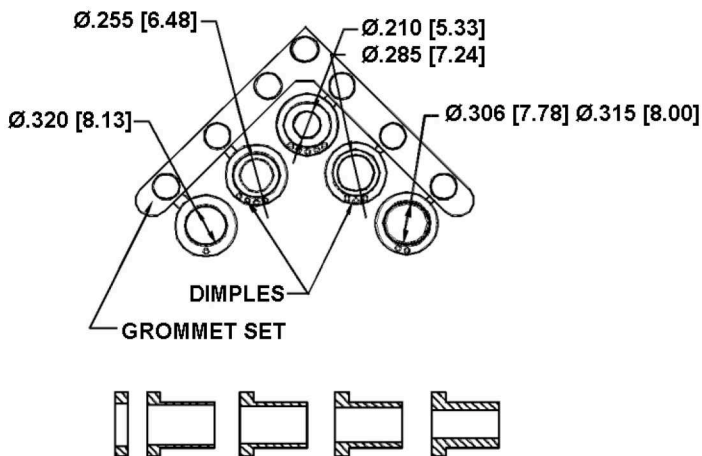
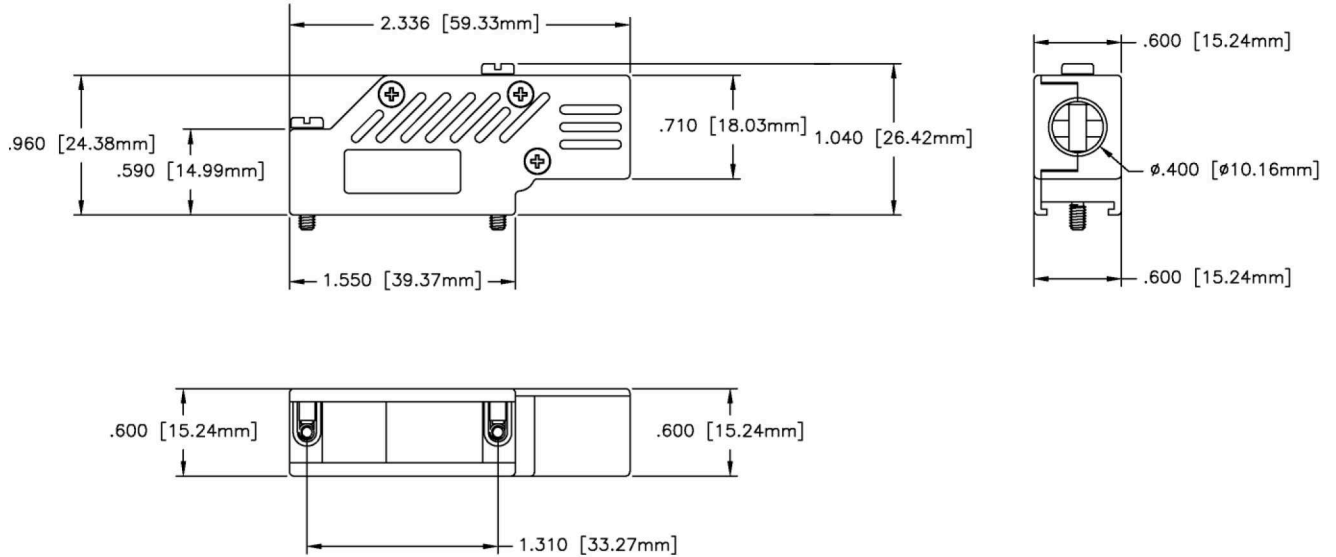


No.	Changes and/or Note No.	Date	Intr.	No.	Changes and/or Note No.	Date	Intr.



**Grommet Set:**

1. Material: PVC UL 94V-0
2. Colour: Black
3. Dimensions: Inches [mm]
4. Tolerance:  $\pm 0.020$  [0.508]

**Connector Cover:**

1. Material: Zinc Alloy
2. Finish: Bright Zinc Chromate
3. Dimensions: Inches [mm]
4. Tolerance:  $\pm 0.015$  [0.381]

DATE 031016	DRAWN MRR	SCALE	MATERIAL TYPE
	APPROVED		REPLACES



**DCMR15-ULP  
Diecasted Hood**



DRAWING No  
**1060-0135-02**