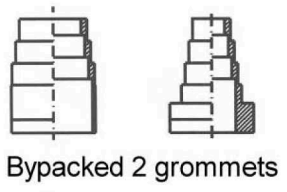
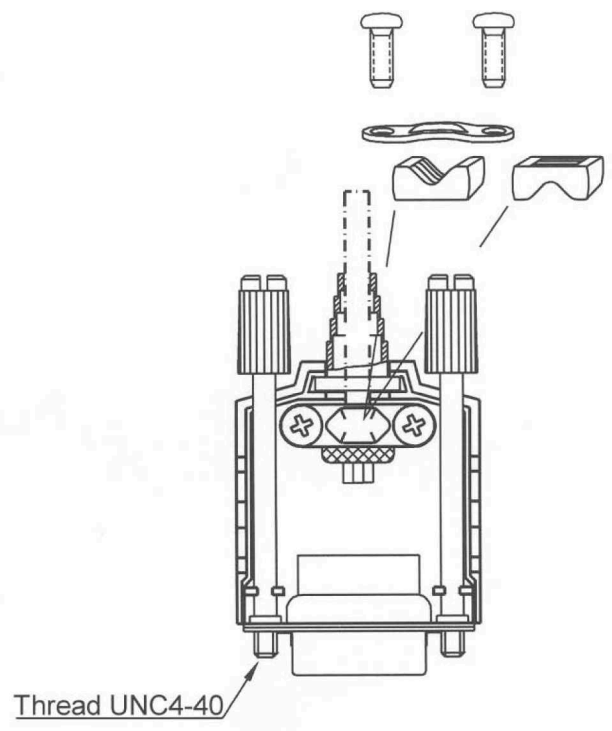
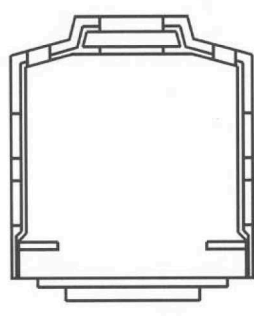
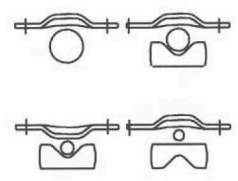
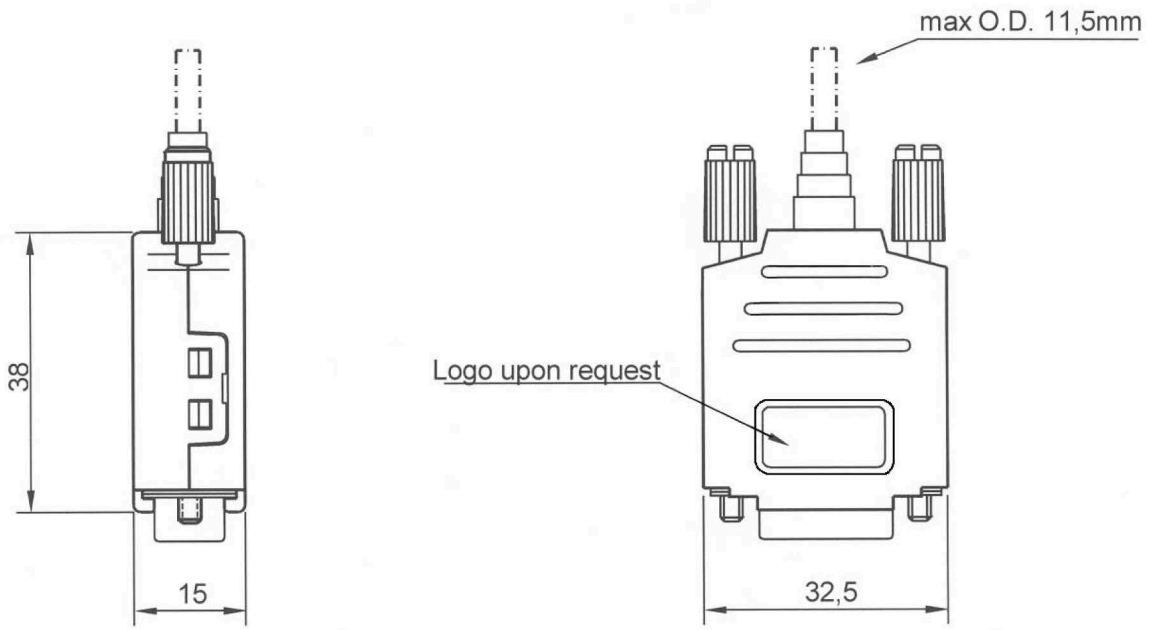


No.	Changes and/or Note No.	Date	Intr.	No.	Changes and/or Note No.	Date	Intr.



DATE 041026	DRAWN MRR	SCALE 1:1	MATERIAL TYPE
6260-0105-01-Kit 6201-0105-01-Bulk	APPROVED		REPLACES

	<h1>DPPK-M-09</h1>	
		DRAWING No 6688-9426