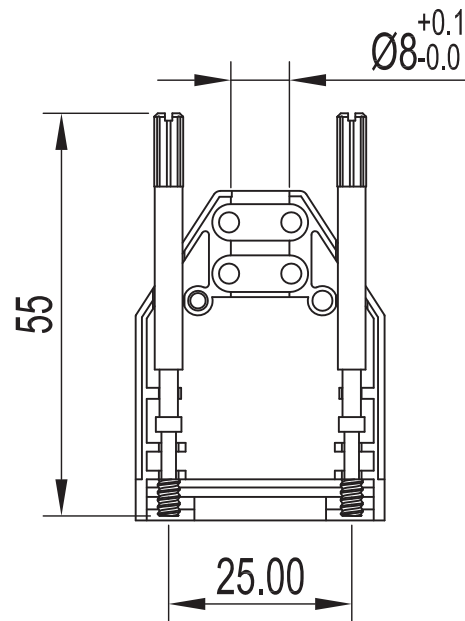
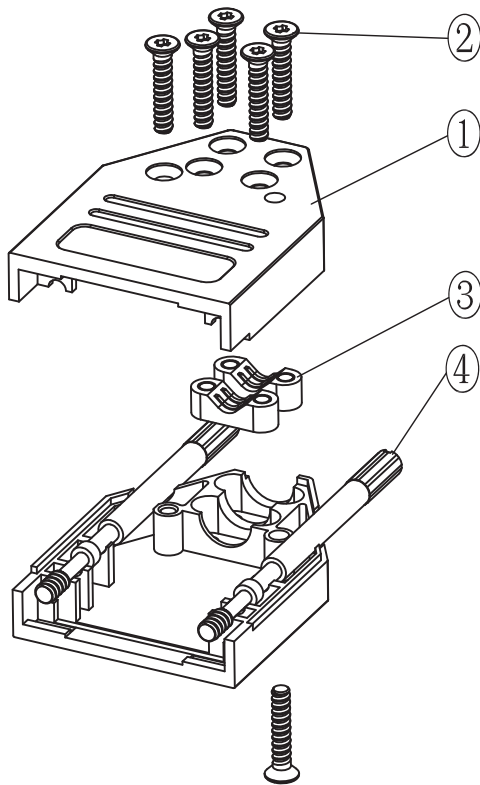
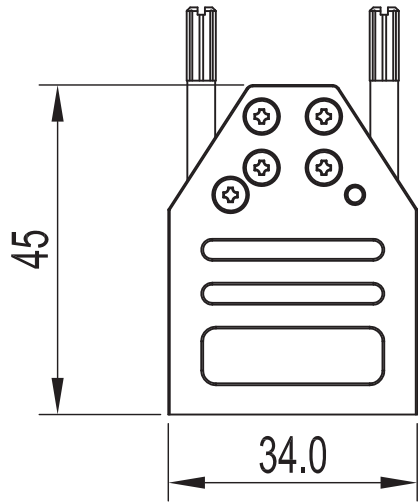


No.	Changes and/or Note	Date	Intr	No	Changes and/or Note	Date	Intr



Part Number:	Description:	Pack:	Item	QTY	Part description
6560-0305-01	DTZI09-K	Kit	1	2	DTZI09 Cover
6561-0305-01	DTZI09	Bulk	2	6	M2.5X14 Countersunk screw
			3	2	DTZI09-Clamp
			4	2	UNC 4-40X55 Jackscrew

DATE: 2011-04-12	DRAWN: MRR	SCALE:	MATERIAL TYPE:	GENERAL TOLERANCES UNLESS OTHERWISE STATED LINEAR 0 ±0.20 0.0 ±0.15 0.00 ±0.10 ANGULAR ±0°30' ALL DIMENSIONS IN mm THIRD ANGLE PROJECTION
	APPROVED:		REPLACES:	

	<h1>DTZI-SERIES</h1>	
		DRAWING No: 6688-9601