

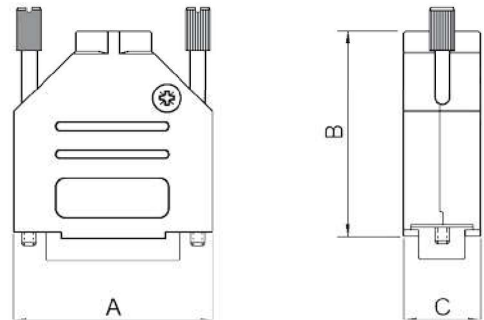
## TECHNICAL SPECIFICATIONS

### D-Sub Hood:

Material:	Zinc, Nickel Plated
Operating Temperature:	-40°C to +120°C
Cable Entry:	Top Entry
Thumbscrews:	UNC 4-40 (Standard)
Cable O.D.:	Up to 11,5mm (Size 9-37) Up to 17mm (Size 50)

### D-Sub High Density:

Insulator:	PBT, Black, UL94 V-0
Shell:	Stamped Steel, Tin Plated
Contact pins:	Copper Alloy
Stamped & Formed pins:	100 inserts min
Contacts Plating:	Selective Gold over Nickel
Operating Temperature:	-55°C to +105°C
Withstanding voltage:	500V for 1 minute
Insulator resistance:	500MΩ min



D-Sub-Hood

### Features:

- Available in sizes 9-15-25-37
- Packed in Kit with FEMALE/MALE HD-connector
- Re-openable
- Full Metal Jackscrew as standard.

Size DTZK	Dim A	Dim B	Dim C
9-way	31,0	39,5	15,0
15-way	39,5	41,5	15,0
25-way	53,5	48,5	15,0
37-way	71,0	53,0	15,0
50-way			

## Ordering information:

### D-Sub Connector Kits (100 inserts min.)

Size:	P/N - Kitted:	Product Code - MALE Conn. Kit
HD 15	6355-0012-01	DTZK09-HDP15-K
HD 26	6355-0012-02	DTZK15-HDP26-K
HD 44	6355-0012-03	DTZK25-HDP44-K
HD 62	6355-0012-04	DTZK37-HDP62-K
HD 78	6355-0012-05	DTZK50-HDP78-K

Size:	P/N - Kitted:	Product Code - FEMALE Conn. Kit
HD 15	6355-0012-11	DTZK09-HDS15-K
HD 26	6355-0012-12	DTZK15-HDS26-K
HD 44	6355-0012-13	DTZK25-HDS44-K
HD 62	6355-0012-14	DTZK37-HDS62-K
HD 78	6355-0012-15	DTZK50-HDS78-K