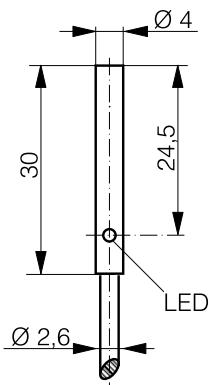
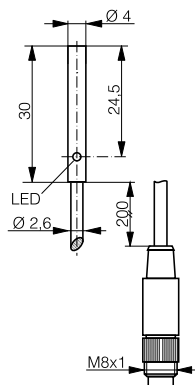


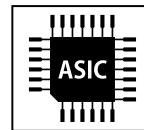
HOUSING	OPERATING DISTANCE	MOUNTING	✓ Miniature device Ø 4 mm ✓ Operating distance 3 mm ✓ Factor 1 on Fe and Al ✓ IO-Link v1.1	✓ One-piece housing in stainless steel V2A ✓ High switching frequency ✓ IP67
Ø 4	3 mm	Non-embeddable		



DW-AD-71x-04



DW-AV-71x-04-276



DETECTION DATA		INTERFACE	
Rated operating distance (S_n)	3 mm	Indicator LED, yellow	Sensing state ($0 \leq s \leq 0.8 S_r$)
Assured operating distance (S_a)	$\leq (0.81 \times S_n)$ mm	Indicator LED, yellow, blinking	Sensing state ($0.8 S_r < s \leq S_r$)
Repeat accuracy	≤ 0.15 mm	IO-Link	✓
Hysteresis	$3\% S_r < \text{Hyst} \leq 15\% S_r$	MTTF (@40°C)	1017 y
Temperature drift	$\leq 10\% S_r$		
Standard target	9 x 9 x 1 mm ³ , FE360		

Note: $0.9S_n \leq S_a \leq 1.1S_n$.

ELECTRICAL DATA		MECHANICAL DATA	
Supply voltage range (U_B)	10...30 VDC	Mounting	Non-embeddable
Residual ripple	$\leq 20\% U_B$	Housing material	V2A / 1.4305 / AISI 303
Output current	≤ 200 mA	Sensing face material	V2A / 1.4305 / AISI 303
Output voltage drop	≤ 2.0 VDC	Max tightening torque	0.2 Nm
Power consumption (no-load)	≤ 10 mA	Ambient operating temperature	-25...+85°C ¹
Residual current	≤ 0.1 mA	Enclosure rating	IP67
Switching frequency	≤ 1200 Hz	Weight (cable/connector)	see page 2
Short-circuit protection	✓	Shock and vibration	IEC 60947-5-2 / 7.4
Voltage reversal protection	✓		
Cable length max.	≤ 300 m		

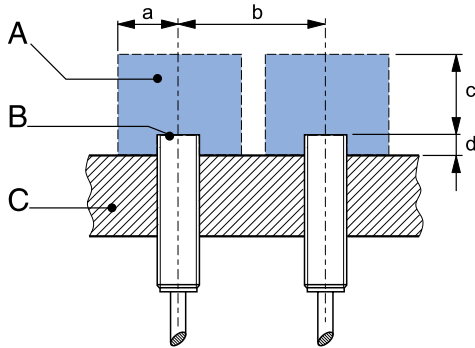
¹Maximum temperature according to UL: 70°C.

Note: all data measured according to IEC 60947-5-2 standard with $U_B=20 \dots 30$ VDC, $T_A=23^\circ\text{C} \pm 5^\circ\text{C}$.

CORRECTION FACTORS FOR TARGET OF

Steel FE 360	1	Copper	0.95	Aluminum	1	Brass	1.35	Stainless Steel V2A 1/2 mm	0.4 / 0.85
--------------	---	--------	------	----------	---	-------	------	----------------------------	------------

INSTALLATION CONDITIONS



A : metal free zone a : 9 mm d : steel 9 mm
 B : sensing face b : 40 mm
 C : support c : 9 mm

Note: additional installation information can be found in the glossary of the Contrinex General Catalog.

IO-LINK FUNCTIONALITIES

IO-Link version	1.1
SIO mode	Supported
Process data	7-bit input
Baudrate	COM2 (38.4 kBaud)
Minimum cycle time	10.4 ms
ISDU	Not supported



IO-Link files may be downloaded from

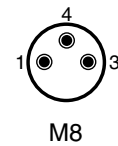
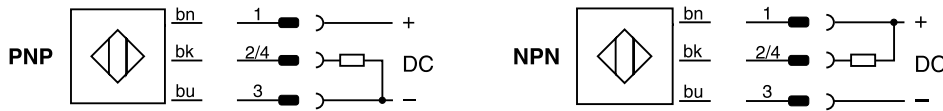
www.contrinex.com/product-range/inductive-sensors/.

Select the product name to display the product page with corresponding downloads.

Alternatively, just click/scan the QR code on the left.

WIRING DIAGRAM

PIN ASSIGNMENT



AVAILABLE TYPES

Part number	Part reference	Polarity	Connection	Output on pin 2	Output on pin 4 / bk	Weight
320-420-683	DW-AD-711-04	NPN	PUR, 2 m, 3 wire	-	Normally open (NO)	29 g
320-420-734	DW-AD-712-04	NPN	PUR, 2 m, 3 wire	Normally close (NC)	-	29 g
330-320-092	DW-AD-713-04	PNP	PUR, 2 m, 3 wire	-	Normally open (NO) / IO-Link	29 g
320-420-733	DW-AD-714-04	PNP	PUR, 2 m, 3 wire	Normally close (NC)	-	29 g
320-420-685	DW-AV-711-04-276	NPN	PUR, 0.2 m + M8 3-pin	-	Normally open (NO)	9 g
320-420-736	DW-AV-712-04-276	NPN	PUR, 0.2 m + M8 3-pin	-	Normally close (NC)	9 g
330-320-093	DW-AV-713-04-276	PNP	PUR, 0.2 m + M8 3-pin	-	Normally open (NO) / IO-Link	9 g
320-420-735	DW-AV-714-04-276	PNP	PUR, 0.2 m + M8 3-pin	-	Normally close (NC)	9 g

Note: part reference may include additional suffix to indicate a revision version or special version. Further information is available on request.

Operators of the products we supply are responsible for compliance with measures for the protection of persons. The use of our equipment in applications where the safety of persons might be at risk is only authorized if the operator observes and implements separate, appropriate and necessary measures for the protection of persons and machines. Terms of delivery and rights to change design reserved.