

31.472

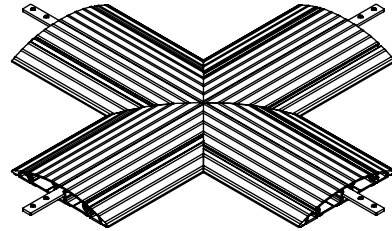
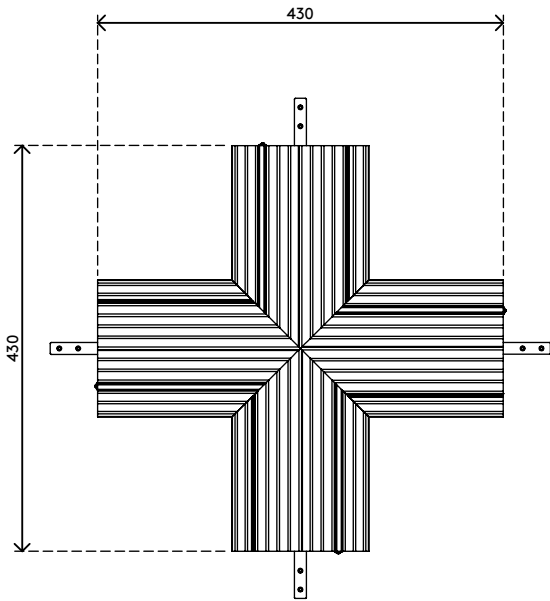
Addit cable protector - cross-connection 472

This Addit cable protector makes it easy to safely get cables across to where you need them to be. The sturdy aluminium construction protects both people and cables by keeping them out of each other's way. Additionally, the hinged cover makes it easy to place, remove or switch out any cable in a matter of seconds.

This cross connection is the ideal solution to connect cables from several sources.

- Made from 80% recycled aluminium
- Ridged top ensures safe slip resistant surface
- Able to carry loads of up to 500 Kg's
- Suitable for 10 cables of 7 mm (0,3") thickness
- Hinged cover provides easy top access to cable ducts
- Underside ridges and friction strips provide grip on all floor types
- Fully recyclable aluminium assembly
- Cross connection


addit



Addit cable protector - cross-connection 472


2020/10/06


31.472

 430 x 420 x 30 mm

 1 pcs

 silver

 1,7 kg

 805410314729