

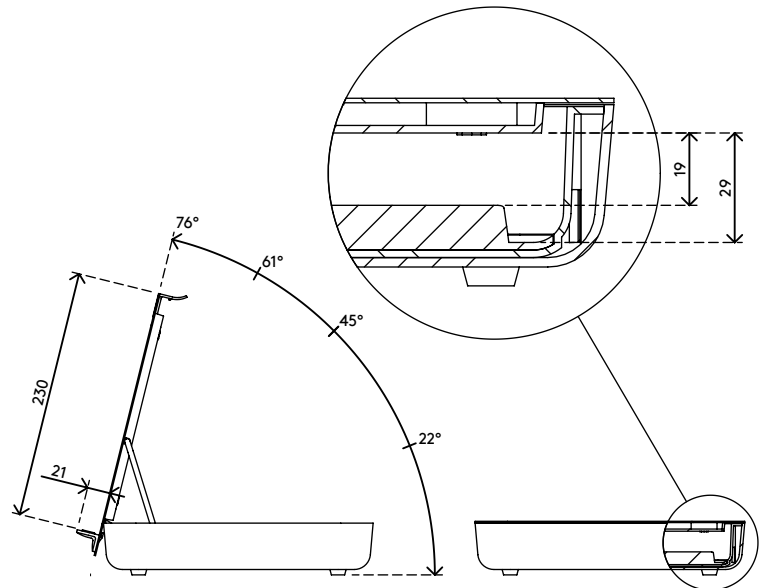
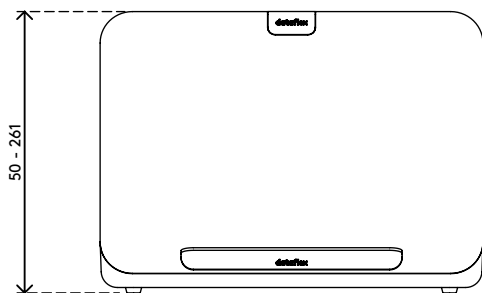
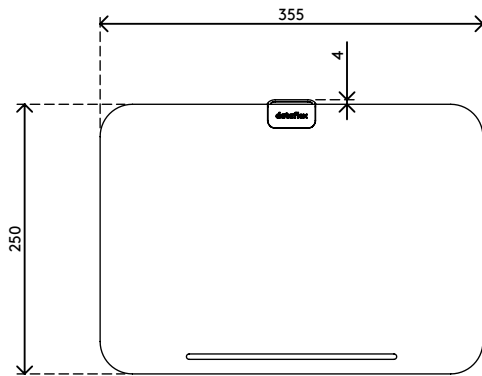
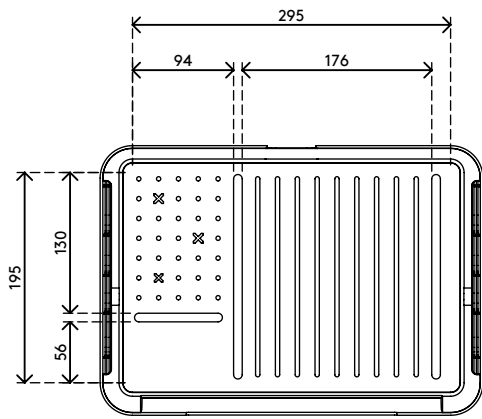
45.900

Addit Bento® ergonomic toolbox 900

Inspired by the Japanese lunch box, the Addit Bento® ergonomic toolbox neatly stores your personal items inside. It also ergonomically supports your favourite devices or documents – whether you are working at your desk from the office or from home. Designed by Robert Bronwasser.

- Offers ergonomic and practical benefits for any type of workstation
- Great for hot desking and agile working
- Can be used as a notebook stand, tablet stand or in-line document holder
- Neatly stores your office utensils, documents (A4) and devices (up to 12")
- Shaped inlay made of silicone rubber protects contents
- Tilttable cover has 4 ergonomic settings and is height adjustable from 134 - 240 mm (5,3" - 9,4")
- Cover offers support to notebooks up to 15"
- Comes with clever magnetic snap-on support ledge
- Works great with Addit Bento® monitor risers
- Max. weight capacity of 6 kg (13 lb)
- Dimensions (w x d x h): 355 x 250 x 50 - 240 mm (14,0 x 9,8 x 2,0 - 9,4")

addit



6 kg




305 mm (12")

Addit Bento® ergonomic toolbox 900


2019/06/20

45.900

 376 x 265 x 54 mm

 1 pcs

 white

 2,2 kg

 805410459000