

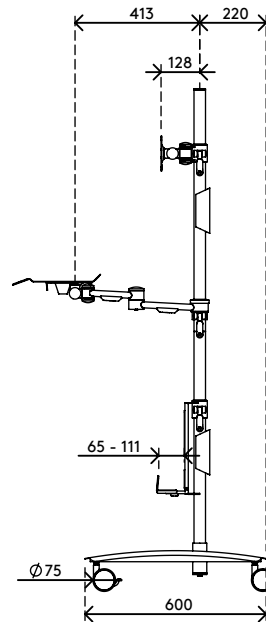
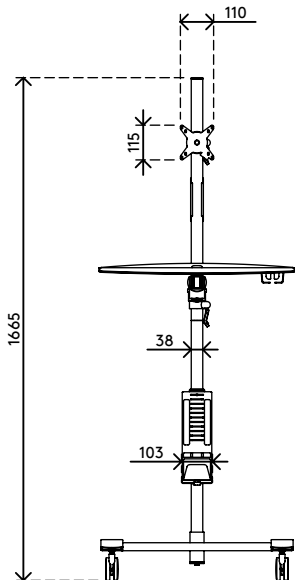
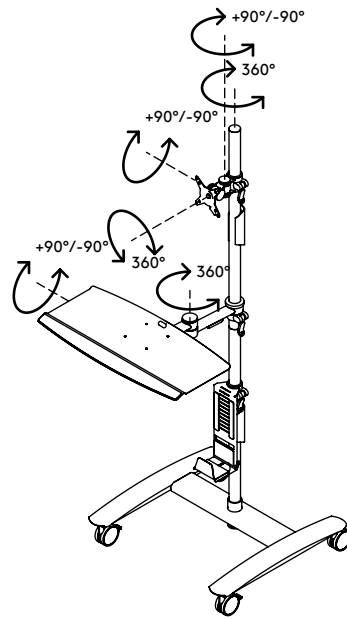
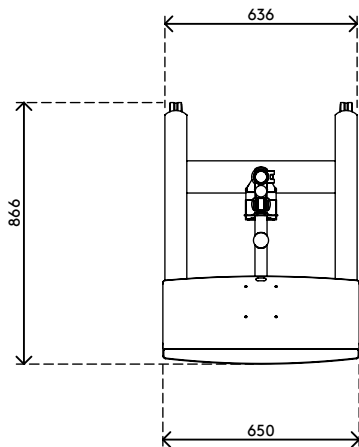
52.702

## Viewmate workstation - floor 702

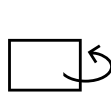
Create a data entry workstation where and when it's needed with this sturdy trolley that's easy to move around. It supports sit-stand working and all parts are independently height adjustable, making sure anyone can work comfortably. Because this trolley has big lockable castors, doorways won't present a threshold.

- Data entry trolley with big lockable castors (75 mm diameter) (3,0")
- Convenient clamp lever on height adjustable parts locks them in place
- Able to hold a monitor, mouse and keyboard and a small form factor computer
- VESA MIS-D 75 x 75/100 x 100 mm compatible
- Cable covers keep cables neatly together
- Keyboard & mouse platform is tiltable and depth adjustable
- SFF holder fits devices with a thickness of 65 - 111 mm (2,6" - 4,4") and max. height of 350 mm (13,8")
- Trolley dimensions (w x d x h): 636 x 600 x 1665 mm (25,0 x 23,6 x 65,6")
- Max. weight capacity: keyboard & mouse platform 5 kg (11 lb), SFF holder 10 kg (22 lb), monitor mount 15 kg (33 lb)

# viewmate <sup>x</sup>



+90°/-90°



+90°/-90°



360°



75 x 75/100 x 100

Viewmate workstation - floor 702

2019/06/20


# 52.702

 800 x 690 x 285 mm

 1 pcs

 silver

 22 kg

 805410527020