

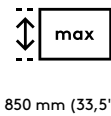
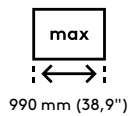
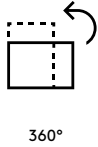
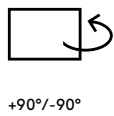
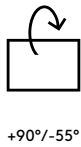
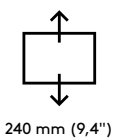
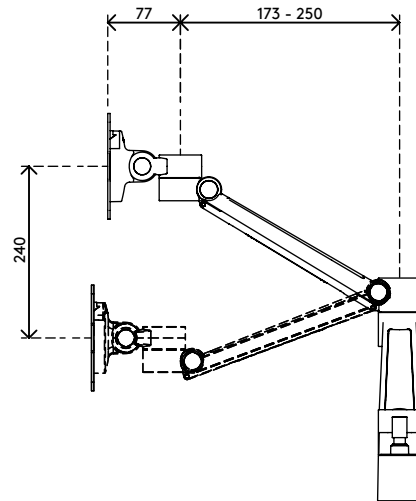
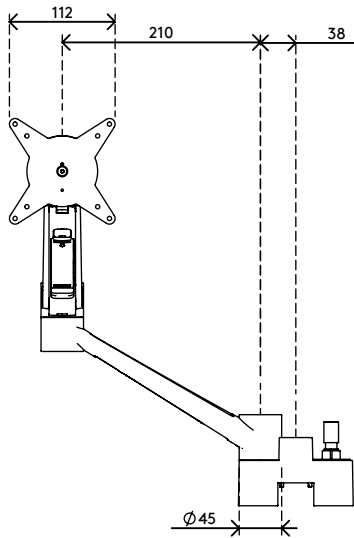
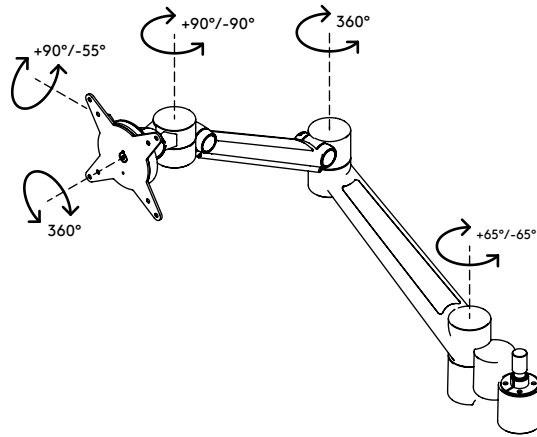
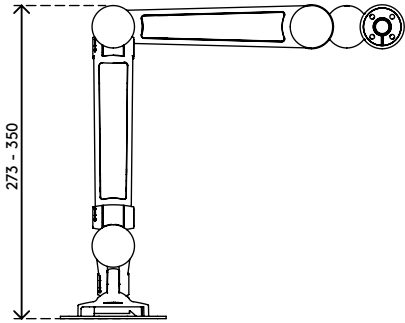
58.602

Viewlite dual monitor arm upgrade kit - option 602

In just a few easy steps upgrade your 'Viewlite plus monitor arm - desk 62' to a 'Viewlite plus monitor arm - desk 65', which mounts two monitors or devices that you can adjust independently in depth and dynamically in height.

- Kit contains a Viewlite dual base adapter and a Viewlite plus monitor arm (Desk mounts not included)
- Monitor: tilt +90°/-55°, swivel +90°/-90°, rotate 360°
- Arm: swivel +65°/-65°
- Swivel limiter pre-set to +65°/-65° (can be set to only +65°)

viewlite X



Viewlite dual monitor arm upgrade kit - option 602

2019/11/19


58.602

 375 x 265 x 105 mm

 1 pcs

 silver-white

 2,75 kg

 805410586027