

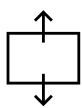
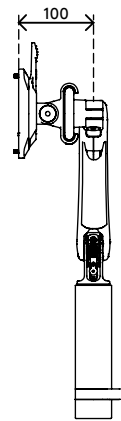
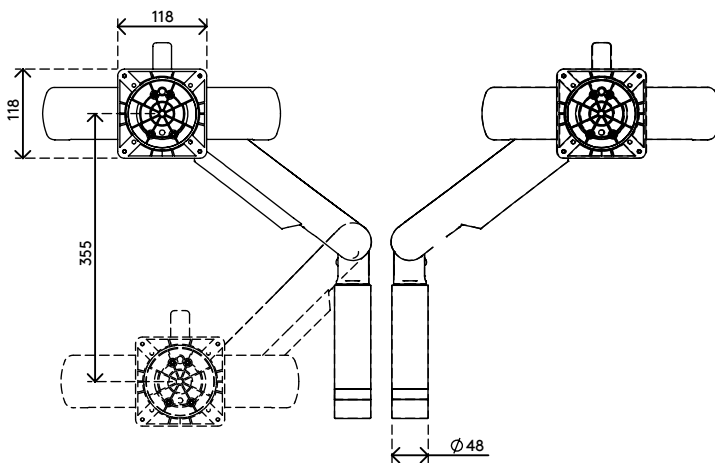
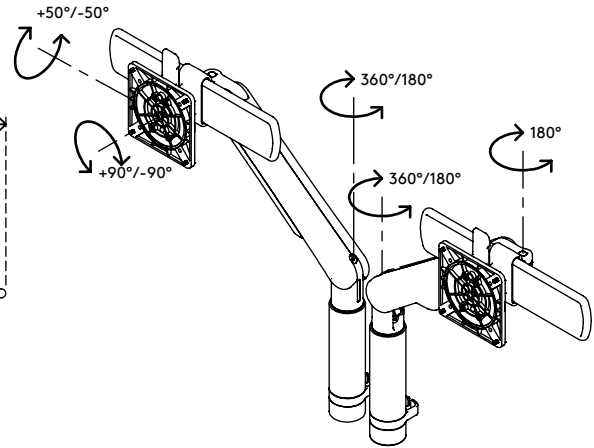
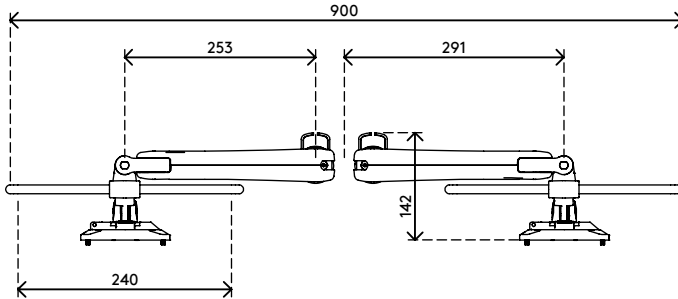
65.210

Viewprime plus monitor arm – desk 210

The lowest possible footprint and highest usability. The two unique monitor sliders allow users to intuitively move dual monitors individually, but also allow you to move the monitors all the way to the back and still have them align precisely. The high-end gas springs allow for fingertip dynamic height adjustment and its precision engineered joints and monitor sliders for smooth operation when adjusting the monitors in depth. A full feature monitor arm with award winning design.

- Dynamic height adjustment range of 355 mm (14,0")
- Independent depth adjustment of 357 mm (14,1")
- Unique monitor slider feature with 240 mm (9,4") of horizontal adjustment
- Capable of portrait and landscape orientation ($\pm 90^\circ$ VESA rotation)
- Built-in gas spring
- Tension adjustment indicator for precision installation
- Integrated cable management
- Quick release included
- VESA MIS-D 75 x 75/100 x 100 mm compatible
- Monitor: tilt $\pm 50^\circ$, swivel $\pm 90^\circ$, rotate $\pm 90^\circ$
- Arm: swivel 360° , limit can be set to 180°
- Weight capacity 1,5 - 8,5 kg (3,3 - 18,7lb.) per monitor
- Monitor size limit: width 812 mm, height 1034 mm
- Desk mount not included, various options available: 65.820, 65.920, 65.940

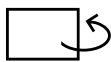
viewprime ^x



355 mm (14,0")



+50°/-50°



180°



+90°/-90°



1034 mm (40,7")



75 x 75/100 x 100



(2x) 1,5 - 8,5 kg
(3,3 - 18,7 lb)

Viewprime plus monitor arm – desk 210

2021/03/21

65.210

687 x 467 x 94 mm

1 pcs

white

5,3 kg

805410652104