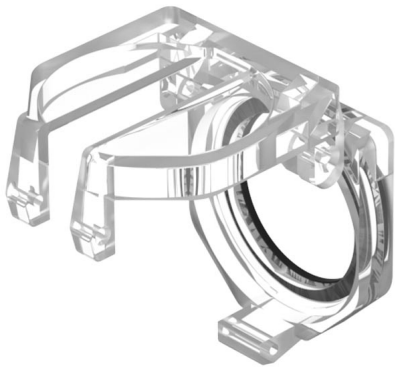


EAO – Your Expert Partner for Human Machine Interfaces

704.925.2 - Protection cover round, raised design

704.925.2 - Protection cover round, raised design



Attention: The preview is based on a sample product. This can differ from your current configuration.

Mounting

Mounting cut-out Ø 22,3 mm
Design raised

Other Attributes

Weight 0,007 kg
Material Plastic

IP-Rating

Front protection IP65

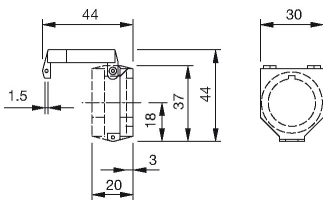
Optics

Optics transparent

EAO – Your Expert Partner for Human Machine Interfaces

704.925.2 - Protection cover round, raised design

Dimensions



Additional information

hinged, with means for sealing
for selector switch

Protection cover Part No. 704.925.2 only for selector switches in
basic position A applicable

Front panel thickness reduced by 3 mm

The dimensions of the mounting cut-outs are shown in the product
details

Please note that bigger minimum distances are necessary