




Product information ELST 400 RD/12 093 Sn

Industrial Connecting Solutions:Circular Connectors:M8 - M12 Connectors:M12 Connectors:M12 Circular connector (M12 E-Series):with screw locking:Appliance connector for press-in fit/sensor tube:ELST 400 RD/12 093 Sn

<https://www.e-catalog.beldensolutions.com:443/link/57078-24228-256281-256292-256304-24445-24446-24277-36854/den/conf/ui/state>

Name	ELST 400 RD/12 093 Sn
	
	Appliance connector for M12 sensors, press-in tube mounting, O-ring, with sealable vent hole
Delivery informations	
Availability	available
Product description	
Description	Appliance connector for M12 sensors, press-in tube mounting, O-ring, with sealable vent hole
Type	ELST 400 RD/12 093 Sn
Order No.	932 559-406
Other standard types	gold-plated contacts, order no. 932 559-306
Type of contact	male
Number of contacts	4
Standard	IEC 61076-2-101 (Ed. 1)/ IEC 60947-5-2
Housing Color	grey
Technical data	
Pin dimensions	1 mm
Rated voltage	AC/DC 150 V
Rated current	4 A
Type of termination	solder, concave pins
Suitable cables	max. 0.5 mm ²
Material	
Contact material	Cu Zn
Contact surface material	Sn
Contact bearer material	PA
O-Ring	NBR
Environmental conditions	
Protection class (IEC 60529)	IP 68
Pollution severity	3
Temperature range	-25 °C to +90 °C
Inflammability class	
Contact bearer	94 V-2
Approvals	
UL	UL
Packing unit	
Packaging unit	100 pieces



HIRSCHMANN

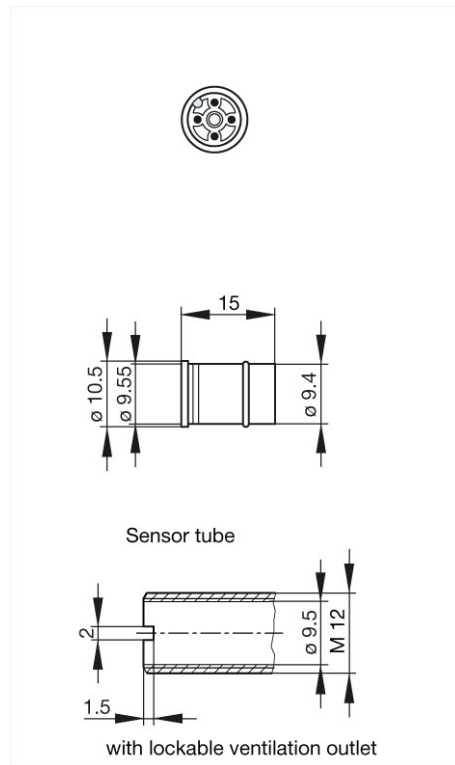
A BELDEN BRAND

Industrial Connecting Solutions: Circular Connectors: M8 - M12 Connectors: M12 Connectors: M12 Circular connector (M12 E-Series)-with screw locking: Appliance connector for press-in fit/sensor tube: ELST 400 RD/12 093 Sn

<https://www.e-catalog.beldensolutions.com:443/link/57078-24228-256281-256292-256304-24445-24446-24277-36854/den/conf/ui/state>

Picture

Drawing



Belden Deutschland GmbH

Im Gewerbepark 2
58579 Schalksmühle
Germany
Phone: +49 7127/14-1806
E-Mail: icos-sales@belden.com

The information published in the websites has been compiled as carefully as possible. It is subject to alteration without notice in technical as well as in price-related/commercial respect. The complete information and data were available on user documentation. Mandatory information can only be obtained by a concrete query.